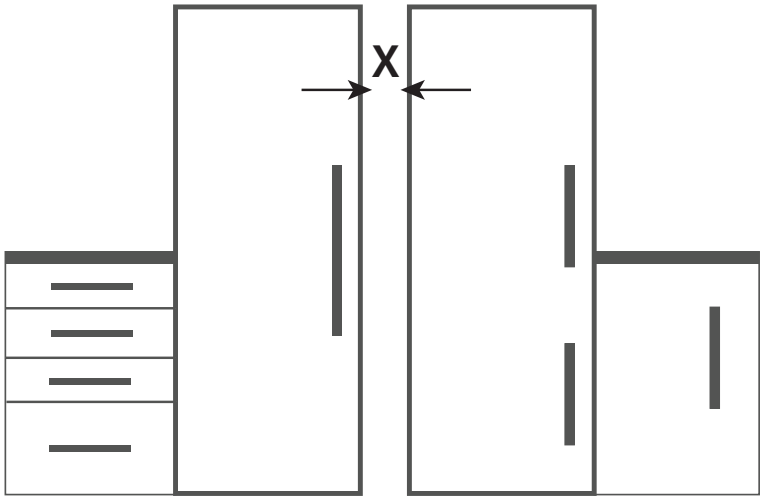


Side By Side Combinations

These appliances are designed for different types of installations. Only combine appliances if the appliances are designed for this. The following table shows the installation options by model:

Setup type	Model
Single	All models
Side-by-Side (SBS)	Model that start with S... See the SBS setup for positioning
Side-by-Side with a distance of X = 2 3/4" (70 mm) between appliance. Otherwise condensation will build up between the units.	<p>All models without side wall heating</p> 

Only specific models can be combined for a side by side installations keeping always the original door opening, as they include a heating blanket in the opposite side of the handle to avoid condensation when attached together:

- SF5291 and SRB5290 (SBS kit included with SF5291)
- SC5781 and SCB5790IM
- SC7541IM and SC7520
- SC7751 and SCB7760IM

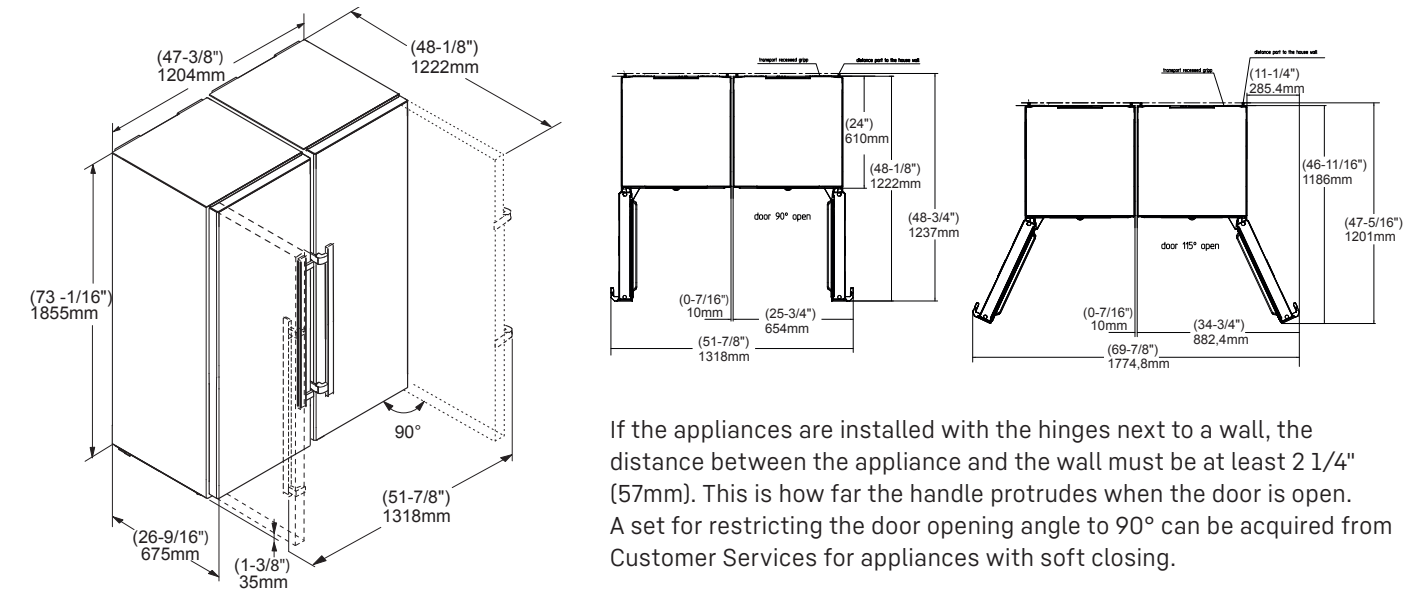
A Side by Side kit is required to attach the two models together. See Available Accessories on page 37 for more information about the Side by Side kit.

The Side by Side kit includes:

- Connection brackets
- Connection covers
- Decorative base trim
- Decorative cover strip

SF5291 and SRB5290 [SBS kit included with SF5291]

Product Dimensions



If the appliances are installed with the hinges next to a wall, the distance between the appliance and the wall must be at least 2 1/4" (57mm). This is how far the handle protrudes when the door is open. A set for restricting the door opening angle to 90° can be acquired from Customer Services for appliances with soft closing.

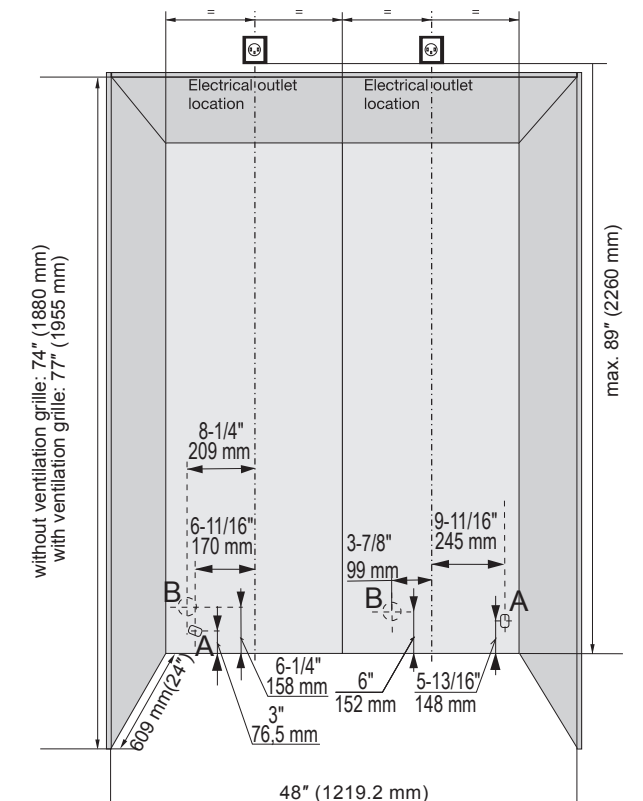
Semi built-in look – Cutout Dimensions

This side by side requires a Side by Side kit to attach both appliances together and provide a finish look. The Side by Side kit is included with SF5291

This side by side combination can be installed in a 77" recess, the remaining gap above the appliances can be covered with a decorative grill 9903 655 , adjustable to a minimum width of 47 5/8" and to a maximum width of 48 3/8". The decorative grille is intended to be used as a filler for 77" openings.

The decorative top grille is attached to the cabinets / gables on either side of it and not to the appliance itself nor any cabinet above.

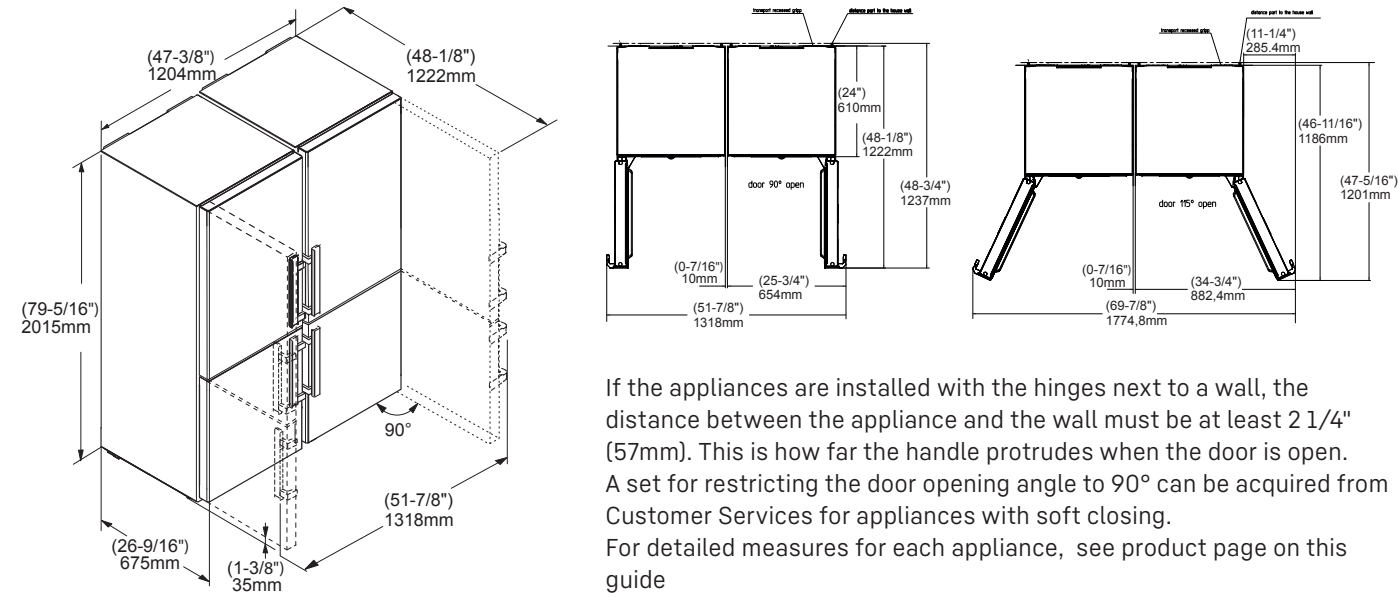
For detailed measures for each appliance, see product page on this guide



Side By Side Combinations

SC5781 + SCB5790IM with SBS kit 9903 573

Product Dimensions



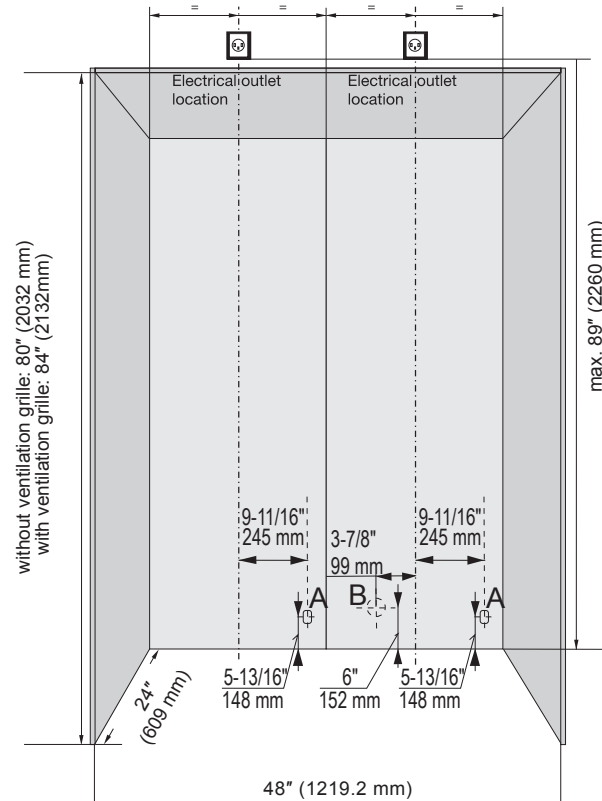
Semi built-in look – Cutout Dimensions

This side by side requires a Side by Side kit to attach both appliances together and provide a finish look.

This side by side combination can be installed in a 84" recess, the remaining gap above the appliances can be covered with a decorative grill 9900 368 , adjustable to a minimum width of 47 5/8" and to a maximum width of 48". The decorative grille is intended to be used as a filler for 84" openings.

The decorative top grille is attached to the cabinets / gables on either side of it and not to the appliance itself nor any cabinet above.

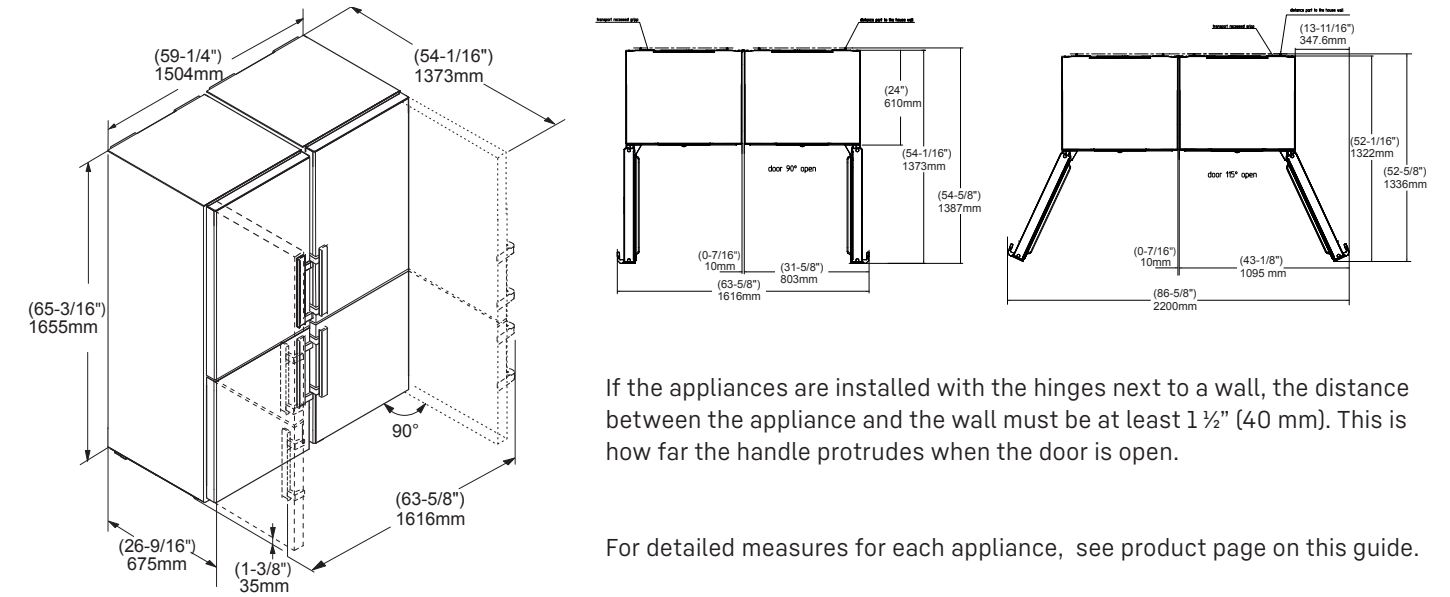
For detailed measures for each appliance, see product page on this guide.



Side By Side Combinations

SC7541IM and SC7520 with SBS kit 9904 583

Product Dimensions



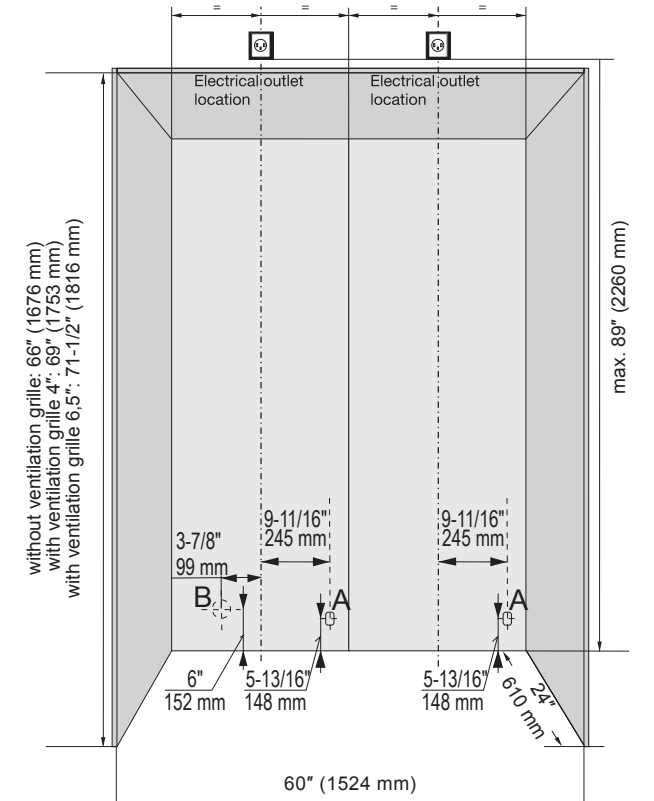
Semi built-in look – Cutout Dimensions

This side by side requires a Side by Side kit to attach both appliances together and provide a finish look.

This side by side combination can be installed in a 72" recess, the remaining gap above the appliances can be covered with a decorative grill 9904 409, adjustable to a width of 60". The decorative grille is intended to be used as a filler for 72" openings. Another ventilation grill 9903 573 is available to be installed in a 69" niche.

The decorative top grille is attached to the cabinets / gables on either side of it and not to the appliance itself nor any cabinet above.

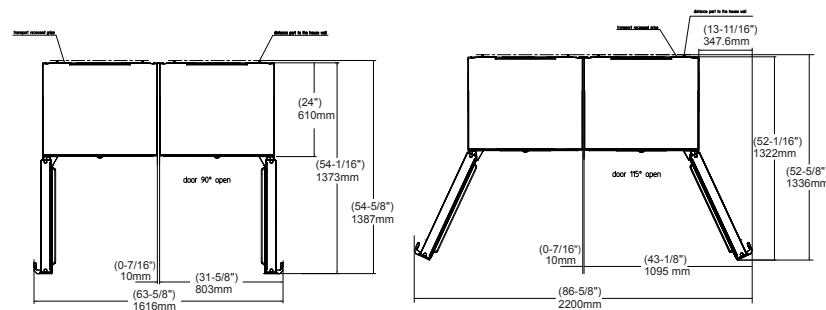
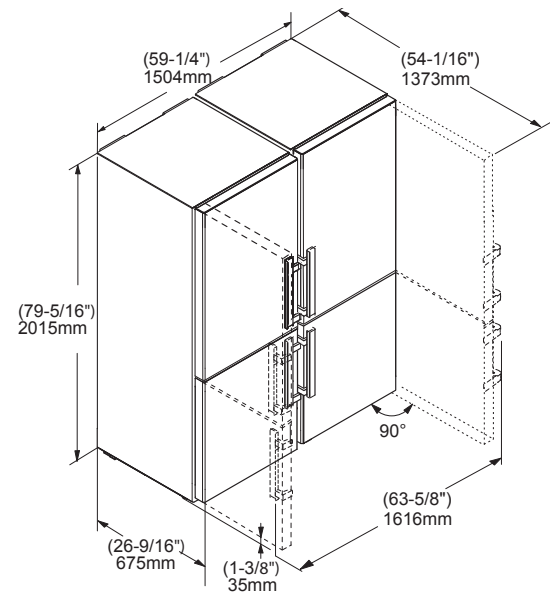
For detailed measures for each appliance, see product page on this guide.



Side By Side Combinations

SC7751 and SCB7760IM with SBS kit 9903 573

Product Dimensions



If the appliances are installed with the hinges next to a wall, the distance between the appliance and the wall must be at least 1 1/2" (40 mm). This is how far the handle protrudes when the door is open. A set for restricting the door opening angle to 90° can be acquired from Customer Services for appliances with soft closing.

For detailed measures for each appliance, see product page on this guide

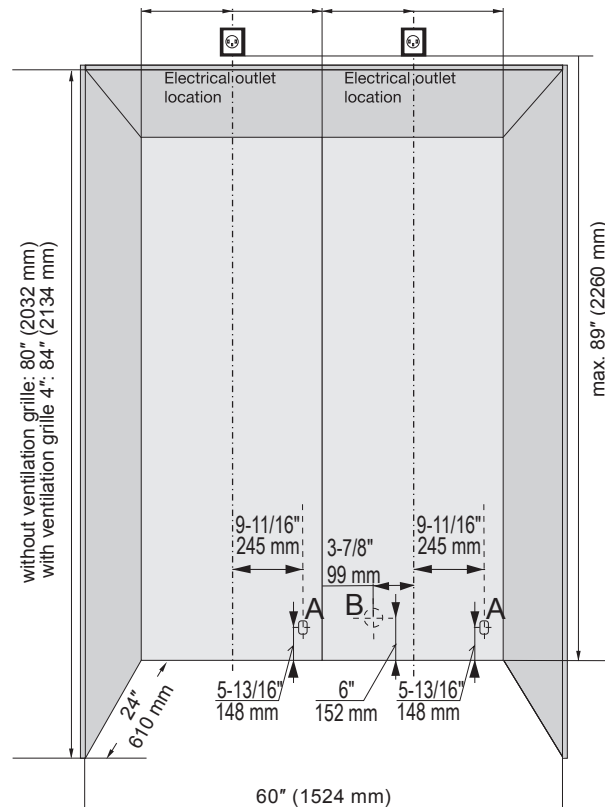
Semi built-in look – Cutout Dimensions

This side by side requires a Side by Side kit to attach both appliances together and provide a finish look.

This side by side combination can be installed in a 84" recess, the remaining gap above the appliances can be covered with a decorative grill 9903 656, adjustable to a width of 60". The decorative grille is intended to be used as a filler for 84" openings.

The decorative top grille is attached to the cabinets / gables on either side of it and not to the appliance itself nor any cabinet above.

For detailed measures for each appliance, see product page on this guide.



Top Ventilation Grills

9903 655 Top Ventilation Grill 48 x 4" (Adjustable width)

The decorative top grille attached to the cabinets / gables on either side of it and not to the appliance itself nor any cabinet above.

The stainless steel 48" top ventilation grill has one end cap on each side, that can be removed to fit a reduced niche of 47 5/8". Additionally include 2 additionally end caps on the accessory bag, to increase the width up to 48 3/8".

This grill is recommended to be use with side by side combination of SF5291 and SRB5290 into a 77" niche.

Top ventilation grill without clip-on end caps	Top ventilation grill with 1 clip-on end cap on each side	Top ventilation grill with 2 clip-on end caps on each side
47 5/8 " / 1209 mm	48" / 1219 mm	48 3/8" / 1229 mm

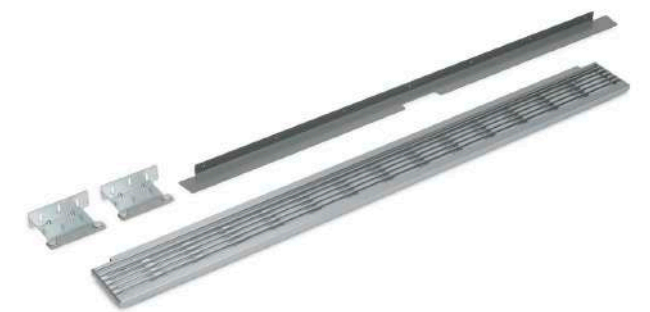
9900 368 Top Ventilation Grill 48 x 4 3/4" (Adjustable width)

The decorative top grille attached to the cabinets / gables on either side of it and not to the appliance itself nor any cabinet above.

The stainless steel 48" top ventilation grill has one end cap on each side, that can be removed to fit a reduced niche of 47 5/8".

This grill is recommended to be use with side by side combination of SC5781 and SCB5790IM into a 84" niche.

Top ventilation grill without clip-on end caps	Top ventilation grill with 1 clip-on end cap on each side
47 5/8 " / 1209 mm	48" / 1219 mm



Top Ventilation Grills

9903 844 Top Ventilation Grill 30 x 4"

The decorative top grille attached to the cabinets / gables on either side of it and not to the appliance itself nor any cabinet above.

This grill is recommended to be use with single 30" models SC7751, SCB7760IM and CB7790IM.

9903 656 Top Ventilation Grill 60 x 4"

The decorative top grille attached to the cabinets / gables on either side of it and not to the appliance itself nor any cabinet above.

This grill is recommended to be use with side-by-side combination of SC7751 and SCB7760IM into a 84" niche.

9904 409 Top Ventilation Grill 60 x 6"

The decorative top grille attached to the cabinets / gables on either side of it and not to the appliance itself nor any cabinet above.

This grill is recommended to be use with side-by-side combination of SC7541IM and SC7520 into a 72" niche.

Top ventilation grill without clip-on end caps	Top ventilation grill with 1 clip-on end cap on each side

Top ventilation grill without clip-on end caps	Top ventilation grill with 1 clip-on end cap on each side

Planning Information

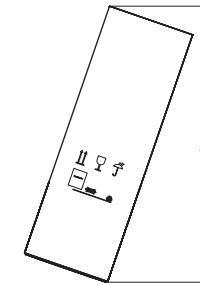
Area Requirements

Verify the following:

- Floors can support appliance's weight plus approximately 1200 pounds (544 kg) of food weight.
- Finished kitchen floor height is level. Refrigerator must be shimmed to the floor level or leveled to make sure air vents are not obstructed.
- Remove anything attached to the rear or side walls that can obstruct appliance opening.
- Cut out dimensions are accurate.
- Electrical outlet is in correct location.

Max height

X = 87.5" / 2223 mm



Do not install this unit next to any other refrigerator, freezer or wine column except another Liebherr model. Liebherr models are designed to allow for Side-by-Side installation. They are equipped with a heating system to eliminate condensation when units are installed Side-by-Side. Installing this unit next to any other refrigerator, freezer or wine column can cause condensation or cause damage to the Liebherr unit.

IMPORTANT

- To protect the refrigerator from possible damage, allow the appliance to stand 1 hour in place before turning the electricity on. This allows the refrigerant and lubrication system to reach equilibrium.

Safety Regulations

- The appliances are designed to cool, freeze, store food as well as make ice (if equipped).
- The appliances are manufactured to operate within specific ambient temperature limits according to its climate rating.
- The climate rating indicates the ambient temperature at which the appliance may be operated in order to deliver optimal refrigeration performance.
- The climate rating for all bottom freezers, refrigerators and freezers is SN-T, for wine it is SN-ST.

Climate Rating	Ambient Temperature
SN	50°F to 90°F (10°C to 32°C)
N	61°F to 90°F (16°C to 32°C)
ST	61°F to 100°F (16°C to 38°C)
T	61°F to 109°F (16°C to 43°C)
SN-ST	50°F to 100°F (10°C to 38°C)
SN-T	50°F to 109°F (10°C to 43°C)

IMPORTANT

Do not operate the appliance outside the specified ambient temperature range.

- Refrigerant circuits are tested for leaks.
- The appliances complies with current safety regulations.

CAN/CSA C22.2 No.60335-1-11
 UL 60335-1 Fifth Edition
 CAN/CSA C22.2 No. 60335-2-24-17
 UL 60335-2-24 Second Edition

Electrical Requirements & Safety

A 15 amp or 20 amp, 110-120 VAC, circuit which is grounded and protected by a circuit breaker or fuse is required.

We recommend using a dedicated circuit for each appliance to prevent circuit overload and the chance of interruption to the appliance.

The appliances are equipped with a three-prong (grounding) polarized plug for protection against possible shock hazards.

The power plug must be easily accessible so that the appliance can be disconnected quickly in an emergency. It should not be behind the appliance.

Comply with the National Electrical Code as well as local codes and ordinances when installing the receptacle.

WARNING!

Electrocution hazard.

Electrical grounding required.

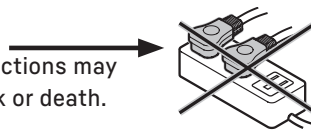
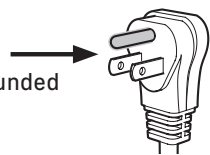
• Do not remove the round grounding prong from the plug.

• Do not use extension cords or ungrounded (two-prong) adapters.

• Do not use a power cord that is frayed or damaged.

• Do not use a power strip.

Failure to follow these instructions may result in fire, electrical shock or death.



WARNING!

The refrigerant R600a contained within the appliances is environmentally friendly, but flammable. Leaking refrigerant can ignite.

To prevent possible ignition, designed ventilation is required.

InfinitySpring (Internal Water Dispenser) and IceMaker (if equipped)

The appliance's water connection and inlet solenoid valve are suitable for a water pressure of up to 1 Mpa (10 bar).

Ensure that the following conditions are met:

- Water pressure is maintained
- Water is supplied to the appliances via a cold water pipe that can withstand the operating pressure and is connected to the drinking water supply
- Use a 1/2" OD copper pipe to connect the water supply to the solenoid valve. This is not supplied with the appliance.
- A connector between the R3/4 connection thread and the 1/4" OD copper cable is supplied with the appliance.

If you have hard water, we recommend you install a water softener. Also, a filter must be installed if the water contains solids such as sand.

All equipment and devices used to supply the water to the appliance must comply with the current regulations for your geographical area.

Safety Instructions and Warnings

- Do not attach the water source while the appliance is connected to an electrical outlet.
- A shut-off valve must be installed between the hose line and the main water supply so that the water supply can be stopped if necessary. Do not install the shut-off valve behind the appliance.
- The connection to the water supply may only be made by a trained and licensed plumber.
- The water quality must comply with the drinking water regulations for the geographical area where the appliance is located.
- The IceMaker is designed exclusively to make ice cubes in quantities needed by a household, and may only be operated with water appropriate for this purpose.
- All repairs and work on the IceMaker may only be done by Customer Service personnel or other trained personnel.
- The manufacturer cannot accept liability for damage caused by equipment or water lines between the solenoid valve and the water supply.

Ventilation Requirements

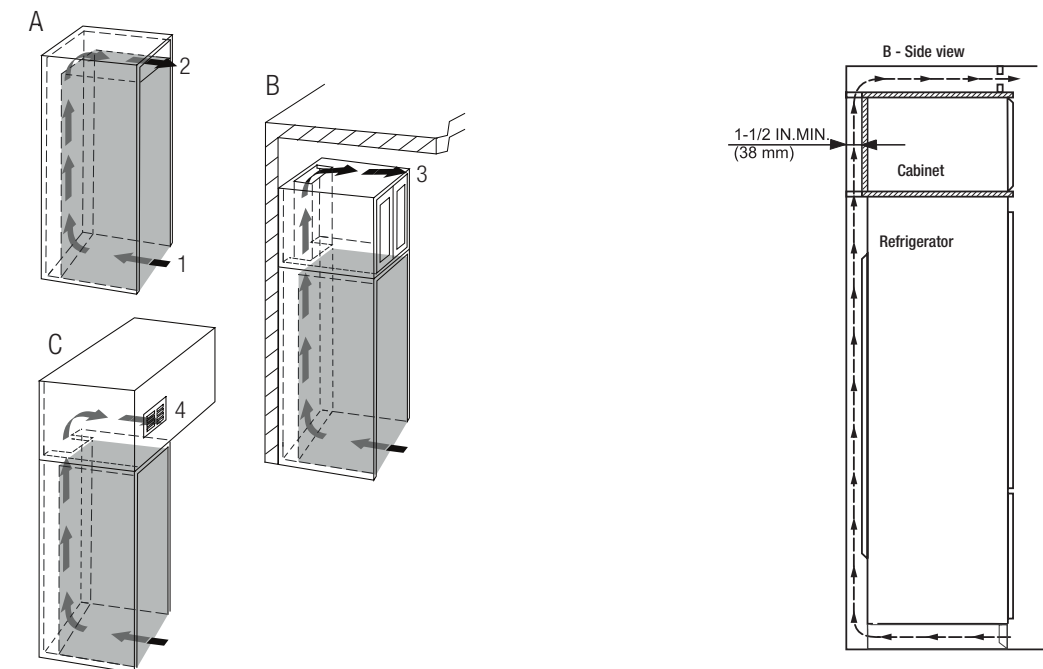
If the appliance is integrated in a fitted kitchen, the following ventilation requirements must be met: - The spacing fins on the back of the appliance are used to ensure sufficient ventilation. These must not lie in cavities or recesses in their final installation position. - Basically, the larger the ventilation gap, the more energy the appliance saves during operation. We suggest a gap between the rear of the appliance and the wall of 1 1/2 inch (38 mm) for optimal energy consumption.

Do not restrict the air flow. A cross-sectional air flow of at least 31 in² (200cm²) per appliance at the airflow inlet (1) and at the airflow outlet (2).

The top ventilation space can be directed in one of the following ways:

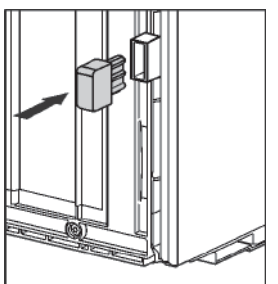
- Directly over the appliance (2) with a gap between the ceiling of the unit and the cabinet
- Above the cabinet and below the ceiling (3).
- Through a vent installed in a soffit (4).

Be sure to consider the possibility of having to raise some of the leveling legs in order to level the appliance when installing. If you adjust the height of the appliance – it will effectively reduce air flow. Therefore leave yourself some room for adjustment. The appliance is designed to allow proper air flow when installed up against the wall.



Mounting wall spacers

These spacers are mounted on the left and right of the back of the appliance to extend the depth of the appliance by approximately 5/8 in (15mm) and provide better energy consumption and avoid the formation of condensate water at high levels of ambient humidity and enclosed niches. The appliance is fully functional if the spacers are not used, but it will consume slightly more energy.



Accessories

01 FreshAir activated carbon filter

FreshAir activated charcoal filter 9882460



9096989

02 Water & Ice

Water Filter 9880980



9880980

03 Side by Side Kit

Side by Side kit for models 80" height 9903 573
Side by Side kit for models 65" height 9904 583

04 Top Ventilation grill

Top ventilation grill 30"x 4" 9903844
Top ventilation grill 48"x 4" 9903655
Top ventilation grill 48"x 4 3/4" 9900368
Top ventilation grill 60 x 4" 9903656
Top ventilation grill 60 x 6" 9904409



9900368

05 Door Stop

90° Door limiter for models with SoftSystem 9096414



9096414

06 Wine Labels Clip-on

Clip-on metal wine labels 9882766