

# SHARP | Simply Better Living

Smart Radiant Rangetop with Microwave Drawer™ Oven

## STR3065HS

30"  
Width

8500  
WATTS

works with 

The First Smart Radiant Rangetop with Microwave Drawer™ Oven

Radiant Cooktop Has Two Variable Cooking Zones, Including a Triple Heater to Accommodate Larger Pots and Pans

Microwave Drawer™ Oven Works with Alexa<sup>1</sup>, and the Sharp Kitchen App available on the App Store® and Google Play

Four Convenient Cooking Zones Plus a Warmer Zone to Keep Prepared Food Warm Before Serving

Can be Installed in an Island, Peninsula or Standard Cabinet



## COOKTOP SPECIFICATIONS

### RADIANT COOKTOP FEATURES

Finish	Stainless Steel, Black Glass
Timer/Settings	Yes
Clock	Yes (Under Timer / Settings)
Single Heater	Yes
Double Heater	Yes
Triple Heater	Yes
Hot Surface Indicator Light	Yes
Warmer On Indicator Light	Yes
Cooktop Warmer	Yes
Mobile Application	Yes, Sharp Kitchen Indicates Cooktop Status, On / Off
Total Wattage	8500W

### DESIGN

Number of Cooking Zones	4
Warmer Zone	Yes
Magnetic Side Accessories	Optional

### CONTROLS

Control Type	Metal Rotary Knobs
Control Location	Front Facing

### LEFT-FRONT UNIT

Single Heater	6"
Double Heater	9"
Triple Heater	12"
Wattage	1050W / 1950W / 3000W

### LEFT-REAR UNIT

Size	6"
Wattage	1200W

### RIGHT-FRONT UNIT

Single Heater	6"
Double Heater	9"
Wattage	1400W / 3000W

### RIGHT-REAR UNIT

Size	6"
Wattage	1200W

### REAR-MIDDLE WARMER UNIT

Size	6"
Wattage	100W

# SHARP | Simply Better Living

Smart Radiant Rangetop with Microwave Drawer™ Oven

1.2  
cu ft.

950  
WATTS

## STR3065HS

## MICROWAVE DRAWER™ OVEN SPECIFICATIONS

### MICROWAVE DRAWER™ OVEN FEATURES

Finish	Stainless Steel, Black Glass
Drawer Opening	Mobile App, "Easy Wave Open" Motion Sensor, or Auto Open / Close Button / Push, and Alexa Voice Command <sup>1</sup>
Width	30"
Capacity	1.2 Cu.Ft.
Microwave Output Power (Watts)	950W
Interior Light	LED
Timer/Settings	Yes
Open/Close	Yes
Start/+30 Sec	Yes
Stop/Clear	Yes
Power Level	11
Clock	Yes (Under Timer / Settings)
Control Lock	Yes
Demo Mode	Yes
Microwave ON Indicator	Yes
Audible Signal	Yes
End of Cooking Reminder	Yes
Multi-Stage Cooking	Yes
Auto Start	Yes
Standby Mode	Yes

### CONTROL PANEL

Control Panel Location	Front Facing
Control Panel Type	Glass Touch
Control Panel Wi-Fi Indicator	Yes
Control Panel Oven Indicator Status	Yes
Display Color	White

### COOKING / MENU PRESETS

Popcorn	Sensor
Reheat	Sensor
Defrost	Ground Meat, Steaks/Chops, Boneless Poultry, Bone-in Poultry, Roast, Casserole or Soup
Sensor Cook	Fish / Seafood, Baked Potatoes, Sweet Potatoes, Brown Rice, White Rice, Quick Fresh Vegetables, Longer Fresh Vegetables, Steamer Bags, Frozen Vegetables, Ground Meat, Frozen Entrées
Melt, Soften & Warm Options	Butter, Chocolate, Ice Cream, Syrup, Cream Cheese, Dessert Toppings
Other Menus	Beverage Reheat, Hot Water, Hot Cereal

### ADDITIONAL FEATURES

Voice Control	Yes, Amazon Alexa <sup>2</sup>
Mobile Application	Yes, Sharp Kitchen Available on the App Store <sup>®</sup> or Google Play™ Store
Wi-Fi Connectivity	Yes
Oven Floor	Patterned Glass
Flush Mount Ready	Yes, Vent Integrated in the Bottom of Drawer Face

### ADDITIONAL SPECIFICATIONS

Power Source	240v, 60Hz, 40A
Agency Certification	UL

### INCLUDED ACCESSORY (w x h)

Product Name	Magnetic Side Accessory Kit (Cooling Rack & Spoon Rest)
Model	SKRS00A7FS
Color	Stainless Steel
Cooling Zone	8.0" x 21.0"
Spoon Rest	6.0" x 21.0"
Dishwasher Safe	Yes
Side Accessory UPC	074000621596

### DIMENSIONS & WEIGHT (in./lbs.) (w x h x d)

Cavity Interior (w x h x d)	17-5/16" x 7-1/8" x 16-9/16"
Product Dimensions	29-15/16" x 18-13/16" x 26-13/16"
Shipping Dimensions	34-3/4" x 30" x 28"
Product Weight / Shipping Weight	118.0 lbs. / 129.8 lbs.

### WARRANTY/UPC

Parts	1 year
Labor	1 year
Magnetron Tube	5 years (parts only)
UPC	074000621688

<sup>1</sup>Must register with Amazon Alexa App. <sup>2</sup>Amazon Echo device not included.

Amazon, Echo, Alexa, and all related logos are trademarks of Amazon.com, Inc. or its affiliates. Apple and iPhone are trademarks of Apple Inc., registered in the U.S. and other countries. Android and Google Play are trademarks of Google LLC.

Internal capacity calculated by measuring maximum width, depth and height. Actual capacity for holding food is less. Product specifications and design are subject to change without notice.

© 2022 Sharp Electronics Corporation. All rights reserved. Sharp, Microwave Drawer and all related trademarks are trademarks or registered trademarks of Sharp Corporation and/or its affiliated companies. All other trademarks are property of their respective owners.

QUESTIONS?

1.800.BE.SHARP

## SIMPLY BETTER LIVING

At Sharp Home Electronics Company of America, we are committed to Simply Better Living. Our innovative home appliance products are SIMPLE to use, BETTER than the competition, and encourage a HEALTHY LIFESTYLE.

SHARP ELECTRONICS CORPORATION  
100 Paragon Drive, Montvale NJ, 07645  
1.800.237.4277 • www.sharpsusa.com



SHARP<sup>®</sup>

Be Original.

# SHARP | Simply Better Living

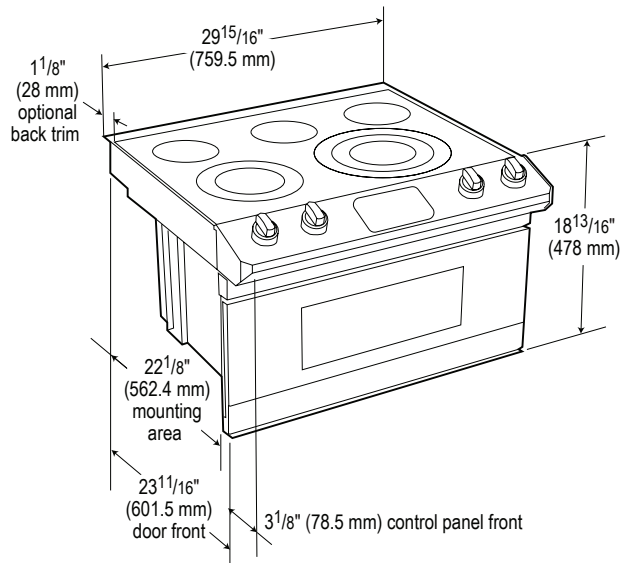
Smart Radiant Rangetop with Microwave Drawer™ Oven

## STR3065HS

NOTE: This is for reference only. For full standard and flush mount installation instructions, please utilize the full installation manual available on sharpusa.com.

### CLEARANCES AND DIMENSIONS

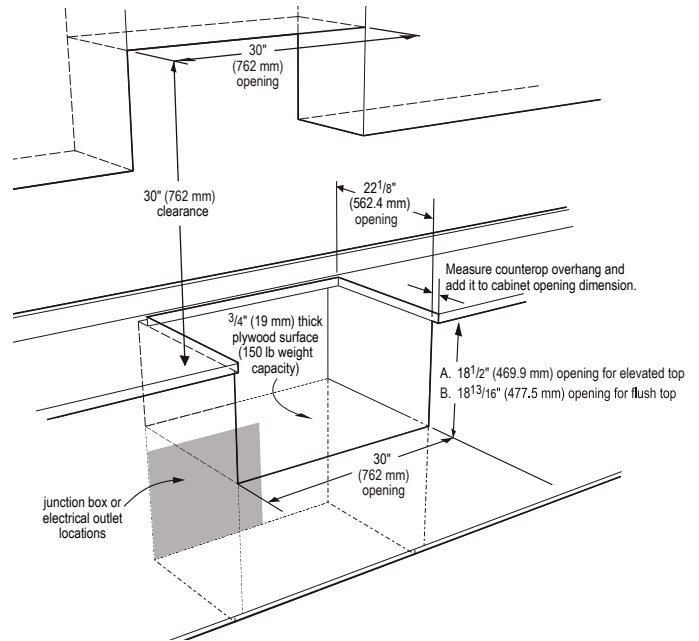
- The dimensions and clearances in this manual indicate minimum clearance required.
- The contact surface of the installation must be solid and level. The surface on which the unit sits must be constructed of plywood strong enough to support 150 lb.



### PREPARE THE CUTOUT OPENINGS

#### STANDARD DIMENSIONS

Countertop depth	25" (635 mm)
Countertop height <sup>3</sup>	6" (914.4 mm)
Countertop thickness	1 1/2" (38.1 mm)
Cabinet depth	24" (609.6 mm)
Cabinet height <sup>3</sup>	4 1/2" (876.3 mm)



QUESTIONS?

1.800.BE.SHARP

### SIMPLY BETTER LIVING

At Sharp Home Electronics Company of America, we are committed to Simply Better Living. Our innovative home appliance products are SIMPLE to use, BETTER than the competition, and encourage a HEALTHY LIFESTYLE.

SHARP ELECTRONICS CORPORATION  
100 Paragon Drive, Montvale NJ, 07645  
1.800.237.4277 • www.sharpusa.com



**SHARP**  
Be Original.