



3 SERIES 30"W. INDUCTION RANGE

Viking 3 Series – RVIR

FEATURES AND FUNCTIONS

- MagneQuick™ Induction Power Generators utilize magnetic energy for superior power, responsiveness, and efficiency
- Power management induction system provides a boost of superior power on all elements for faster boil times
 - Two 8" 2,400 watt elements that boost to 3,130 watts
 - Two 6.3" 1,460 watt elements that boost to 2,190 watts
- Simmer and ultra-simmer settings are perfect for gentle melting or keeping cooked food warm
- Digital LED display
- Auto parboil feature
- Large capacity oven
 - 4.7 cu. ft. overall
 - 4.1 cu. ft. measured to AHAM Standards
- High performance cooking modes include Bake, Convection Bake, TruConvec™ Convection Cooking, Convection Roast, Hi Broil, Medium Broil, Low Broil, Convection Broil, Convection Dehydrate, and Convection Defrost
- **EXCLUSIVE** – Patented Vari-Speed Dual Flow™ Convection System has the largest convection fan in the industry; the 8 1/2" fan works bi-directionally for maximum airflow and excellent cooking results
- Concealed 10-pass dual-bake element provides precise temperature control
- 10-pass broiler with heat reflector provides superior broiling performance
- Rapid Ready™ Preheat provides superfast preheating
- Oven has six porcelain-coated rack supports and comes standard with one TruGlide full extension oven rack and two standard racks
- Halogen oven lighting provides excellent visibility throughout oven cavity
- Shipped standard with Island trim



EASY OPERATION AND CLEANUP

- Strong, wear-resistant glass ceramic surface with stainless steel frame offers excellent cleanability
- Durable metal die-cast knobs with child-proof, push-to-turn safety feature
- Control features child-lock function
- Customer-removable knobs for easy cleaning

MODEL NUMBER

- RVIR3304B – 30"W. Induction Range; four elements

ACCESSORIES

- RD30BG6SS – 6" high backguard for 30" range
- RD24CSTSS – countertop side trim
- P30CRTSS – countertop rear trim for 30" range
- P30CBF4SS – curb base and custom curb base front for 30" range

COLOR FINISHES

- Stainless Steel (SS)



- Available in Cast Black (CS), Damascus Gray (DG), and Slate Blue (SB)



WARRANTY

- 2-year full – complete product
- 90-day full – cosmetic parts such as glass, painted items and decorative items
- 5-year limited – induction components/ electric elements

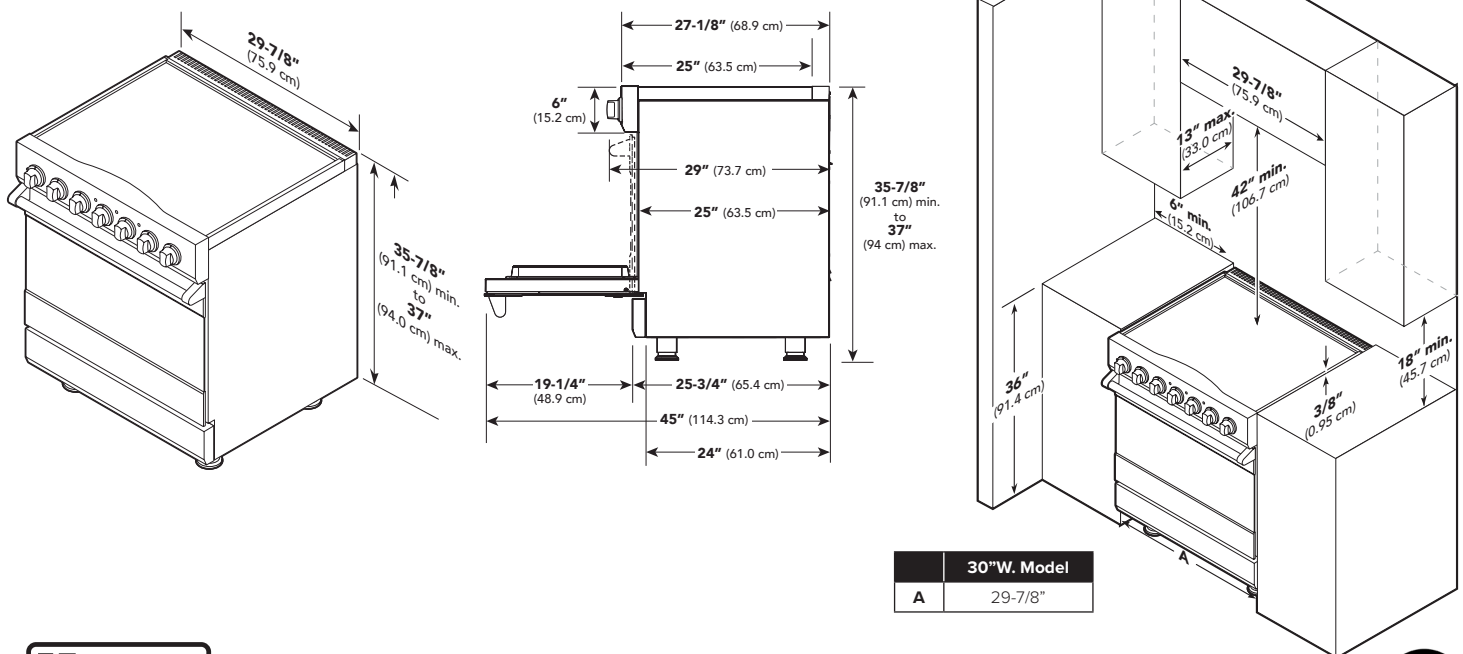


3 SERIES 30"W. INDUCTION RANGE

Viking 3 Series – RVIR

INDUCTION 30"W. RANGE	
DESCRIPTION	RVIR3304B
Overall Width	29-7/8" (75.9 cm)
Overall Height	To top of side trim – 35-7/8" (91.1 cm) minimum; 37" (94.0 cm) maximum Legs adjust – 1-1/8" (2.9 cm)
Overall Depth from Rear	To front of side panel – 25" (63.5 cm) To front of door – 25-3/4" (65.4 cm) To front of control panel – 27-1/8" (68.9 cm) To end of knobs – 29" (73.7 cm)
Additions to Overall Height	To top of island trim – add 1" (2.5 cm) To top of 6" h. backguard – add 6" (15.2 cm) To top of high shelf – add 18-3/16" (46.2 cm)
Electrical Requirements	240-208 VAC 60 Hz electrical connection box on product, connect with locally supplied 3-wire, flexible cord or "pigtail" rated 40 amp. 125-250 VAC minimum. Cord must be agency approved for use with household electric ranges.
Maximum Wattage/Amp Usage	240V – 12 kW – 50 amps 208V – 10.4kW – 43.3 amps
Surface Element Rating	Left Front – 1,460-watt boost/2,190 watts Left Rear – 2,400-watt boost/3,130 watts Right Front – 2,400-watt boost/3,130 watts Right Rear – 1,460-watt boost/2,190 watts
Oven Interior Width	25-5/16" (64.6 cm)
Oven Interior Height	16-1/2" (41.9 cm)
Oven Interior Depth	Overall – 19-1/2" (49.5 cm) AHAM* – 16-13/16" (42.7 cm)
Oven Volume	Overall – 4.7 cu. ft. AHAM* – 4.1 cu. ft.
Approximate Shipping Weight	426 lb. (193.2 kg)

Please do not prepare installation from brochure data only. See installation instructions for important clearance/installation information.
*The AHAM Standard for measuring oven capacity subtracts the door plug and convection baffle dimension from the total oven volume.



VIKING RANGE, LLC 111 FRONT STREET GREENWOOD, MISSISSIPPI 38930 USA

For detailed product information, model numbers, or to request a quote call 1-888-845-4641 or visit vikingrange.com
© 2023 Viking Range, LLC All rights reserved. Specifications subject to change without notice.

