

RF31CG720SR

SAMSUNG

31 cu. ft. Mega Capacity 4-Door French Door Refrigerator with Dual Auto Ice Maker in Stainless Steel



Signature Features

Mega 31 cu. ft. Capacity

Store more groceries with more room to stay organized. Mega 31 cu. ft. capacity fits big and bulky items with easy access to everything you need.

Dual Auto Ice Maker

Enjoy your favorite beverage with your choice of ice. Choose from cubed ice or Ice Bites™ that chills your drink faster.*

*Compared to cubed ice.

Internal Water Dispenser

Easy access to chilled and filtered water with plenty of room to fill a large bottle.

Modern Design

A flat front design with recessed drawer handles fits seamlessly into the kitchen.

Available Color



Fingerprint Resistant
Stainless Steel



Mega 31 cu. ft. Capacity



Dual Auto Ice Maker

Design

- Mega Capacity of 31 cu. ft.
- Internal Water Dispenser
- High-Efficiency LED Lighting
- Gallon Door Bin
- Fingerprint Resistant Finish

Technology

- Wi-Fi Enabled
- Power Cool & Power Freeze
- Door Alarm
- Water Filter Indicator

Performance

- Dual Auto Ice Maker with Ice Bites™ and Cubed Ice
- SmartThings Energy*
- Metal Cooling

*Available on Android and iOS devices. A Wi-Fi connection and a Samsung account are required.



Rating



ENERGY STAR® rated:
699 kWh/yr

RF31CG720SR

SAMSUNG

31 cu. ft. Mega Capacity 4-Door French Door Refrigerator with Dual Auto Ice Maker in Stainless Steel

Installation Specifications

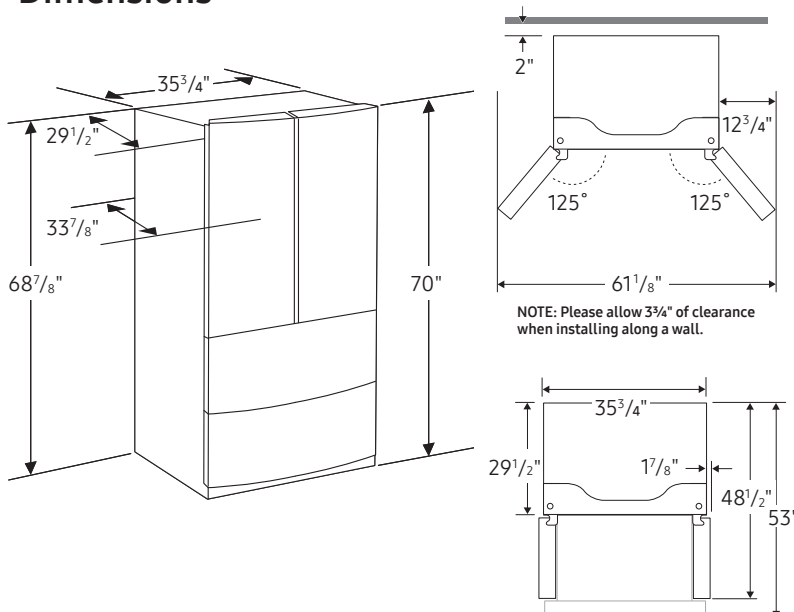
1. Measure the height, width and depth of the opening, making sure to include baseboards, molding tile, countertop overhang, etc. Check to be sure there is enough room to open the door (consider walls, islands or other obstacles when measuring).
2. Refer to illustration below to determine dimensions.
3. Allow 2.5" of clearance on hinge side of refrigerator when installing next to a wall where handle may make contact.
4. Allow 2" minimum clearance at rear for proper air circulation and water/electrical connections. Allow a 3/8" minimum clearance at sides and top for ease of installation.
5. Ensure each door and entryway in the home is wide enough for the refrigerator to be moved through easily.

For optimal usage and ability to open refrigerator doors completely, do not install next to a wall.

Please note: The following dimensions and cutout information is for planning purposes only. For complete installation details, consult manual packed with product or download manual online at samsung.com.



Dimensions



Total Capacity: 30.8. cu. ft.

Refrigerator: 22.3 cu. ft.

- 4 Tempered Glass Spill-Proof Shelves
- Full-Width Drawer
- 2 Clear Drawers
- 7 Door Bins
 - Right: 1 Gallon Bin, 3 Regular Bins
 - Left: 3 Regular Bins
- High-Efficiency LED Lighting

Freezer: 8.5 cu. ft.

- Dual Auto Ice Maker in Middle Drawer (Cubed Ice or Ice Bites™)
 - 2 Removable Ice Buckets and 1 Scoop
- 1 Large Opaque Bin with 1 Divider
- High-Efficiency LED Lighting

Accessories

Water Filter: HAF-QIN

Warranty

One (1) Year Parts and Labor on Refrigerator
Five (5) Years Parts and Labor on Sealed Refrigeration System Only*
Ten (10) Years Parts and Five (5) Years Labor on Digital Inverter Compressor

*Compressor, evaporator, condenser, drier and connecting tubing.

Product Dimensions & Weight

Dimensions (WxHxD with hinges and doors):
35³/₄" x 70" x 33⁷/₈"

Dimensions (WxHxD without hinges and door):
35³/₄" x 68⁷/₈" x 29¹/₂"

Weight: 317 lbs

Shipping Dimensions & Weight (WxHxD)

Dimensions: 37⁷/₈" x 75⁷/₁₆" x 36"

Weight: 327 lbs

Color

Fingerprint Resistant
Stainless Steel

Model

RF31CG7220SR

UPC Code

887276769264