

RF31CG7200SR

SAMSUNG

Large Capacity 4-Door French Door 31 cu. ft. Refrigerator with Internal Water Dispenser and Dual Auto Ice Maker



Signature Features

Large 31 cu. ft. Capacity

Store more groceries with more room to stay organized. Large 31 cu. ft. capacity fits big and bulky items with easy access to everything you need.

Dual Auto Ice Maker

Enjoy your favorite beverage with your choice of ice. Choose from cubed ice or Ice Bites™ that chills your drink faster.*
*Compared to cubed ice.

Internal Water Dispenser

Easy access to chilled and filtered water with plenty of room to fill a large bottle.

Available Color



Fingerprint Resistant
Stainless Steel



Large 31 cu. ft. Capacity



Dual Auto Ice Maker

Design

- Large Capacity of 31 cu. ft.
- High-Efficiency LED Lighting
- Gallon Door Bin
- Fingerprint Resistant Finish

Technology

- Wi-Fi Enabled
- Power Cool & Power Freeze
- Door Alarm
- Water Filter Indicator

Performance

- Dual Auto Ice Maker with Ice Bites™ and Cubed Ice
- SmartThings Energy*
- All-Around Cooling
- Sabbath Mode

*Available on Android and iOS devices. A Wi-Fi connection and a Samsung account are required.



Rating



ENERGY STAR® rated:
699 kWh/yr

RF31CG7200SR

SAMSUNG

Large Capacity 4-Door French Door 31 cu. ft. Refrigerator with Internal Water Dispenser and Dual Auto Ice Maker

Installation Specifications

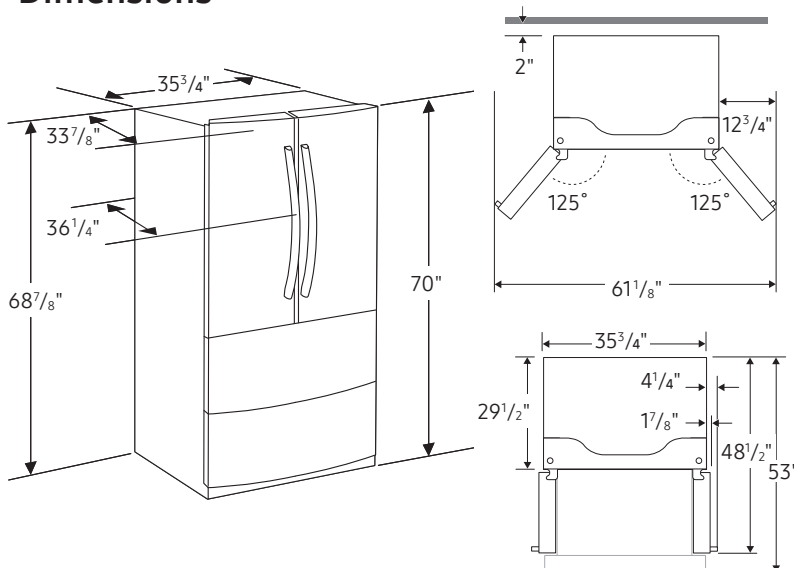
1. Measure the height, width and depth of the opening, making sure to include baseboards, molding tile, countertop overhang, etc. Check to be sure there is enough room to open the door (consider walls, islands or other obstacles when measuring).
2. Refer to illustration below to determine dimensions.
3. Allow 2.5" of clearance on hinge side of refrigerator when installing next to a wall where handle may make contact.
4. Allow 1" minimum clearance at rear for proper air circulation and water/electrical connections. Allow a 3/8" minimum clearance at sides and top for ease of installation.
5. Ensure each door and entryway in the home is wide enough for the refrigerator to be moved through easily.

For optimal usage and ability to open refrigerator doors completely, do not install next to a wall.

Please note: The following dimensions and cutout information is for planning purposes only. For complete installation details, consult manual packed with product or download manual online at samsung.com.



Dimensions



Total Capacity: 30.8 cu. ft.

Refrigerator: 22.3 cu. ft.

- 4 Tempered Glass Spill-Proof Shelves
- Full-Width Drawer
- 2 Clear Drawers
- 7 Door Bins
 - Right: 1 Gallon Bin, 3 Regular Bins
 - Left: 3 Regular Bins
- High-Efficiency LED Lighting

Freezer: 8.5 cu. ft.

- Dual Auto Ice Maker in Middle Drawer (Cubed Ice or Ice Bites™)
- 2 Removable Ice Buckets and 1 Scoop
- 1 Large Opaque Bin with 1 Divider
- High-Efficiency LED Lighting

Accessories

Water Filter: HAF-QIN

Warranty

One (1) Year Parts and Labor on Refrigerator
Five (5) Years Parts and Labor on Sealed Refrigeration System Only*
Ten (10) Years Parts and Five (5) Years Labor on Digital Inverter Compressor

*Compressor, evaporator, condenser, drier and connecting tubing.

Product Dimensions & Weight

Dimensions (WxHxD with hinges, handles and doors):
35³/₄" x 70" x 36¹/₄"

Dimensions (WxHxD without hinges and door):
35³/₄" x 68⁷/₈" x 29¹/₂"

Dimensions (WxHxD with hinge and door, no handle):
35³/₄" x 70" x 33⁷/₈"

Weight: 319 lbs

Shipping Dimensions & Weight (WxHxD)

Dimensions: 37⁷/₈" x 75⁷/₁₆" x 36"

Weight: 328 lbs

Color

Fingerprint Resistant
Stainless Steel

Model

RF31CG7200SR

UPC Code

887276769257