

30" Over the Range Microwave

MWOTR30100SS



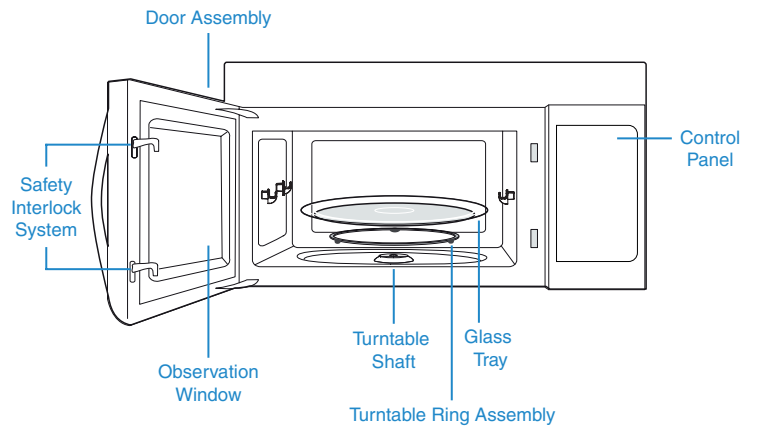
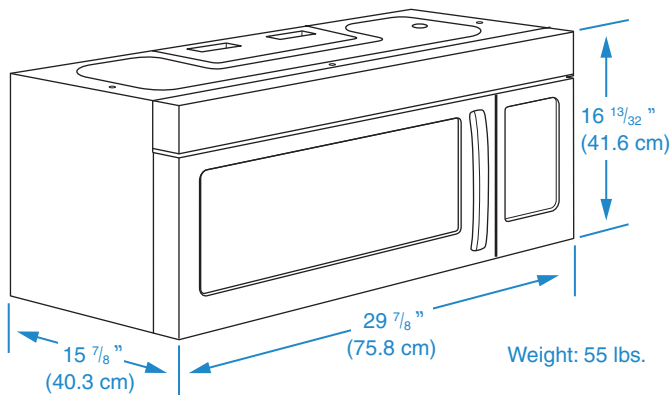
KEY FEATURES

- 1.6 cu. ft. Interior Capacity
- Touch Control
- Pull-handle Door
- LED Display
- Glass Turntable

GENERAL	
Door Opening Type	Side Opening — Handling
Control Panel Color	Touch Control
Interior Finish	Stainless Steel
MAIN FEATURES	
Control Type	Electric
Digital Timer	Yes
Auto-cooking	Yes
Turntable	Glass
Turntable Size	13.5 in.
Quick Start	Yes
Cooktop Lighting	Yes
CAPACITY	
Total Capacity	1.6 cu. ft.
Exhaust Capacity	300 cu. ft./min.
ELECTRICAL INFORMATION	
Microwave Watts	1,000 W
Electrical Input	1,500 W
Electrical Output	1,000 W
Voltage	120 V
Frequency	60 Hz
DIMENSIONS	
Required Cutout Dim (H x W x D)	16 3/4" x 30" x 12"
Product Dim (H x W x D)	15 11/16" x 31 7/16" x 15" (41.7 x 75.9 x 38.2 cm)
Product Weight	55.11 lbs. (25 kg)
Packed HxWxD	20 1/16" x 33 1/4" x 19 5/16" (51 x 84.5 x 49 cm)
Packed Weight	62.83 lbs. (28.5 kg)

30" Over the Range Microwave

MWOTR30100SS



NOTE TO THE INSTALLER: All height, width, and depth dimensions are shown in inches (as well as metric). Beko U.S., Inc. reserves the absolute and unrestricted right to change product materials and specifications, at any time, without notice. Please visit our website, www.BekoAppliances.com, or call 888.352.2356 to verify the latest specifications with final dimensional data and other details prior to installation and making a cutout. Applicable product limited warranty information may be found in accompanying product materials, or you may contact your account manager for further details. Proper installation is the responsibility of the installer. Product failure due to improper installation is not covered under the Limited Warranty.

888.352.BEKO(2356) | BekoAppliances.com

