

# MRNP215

## 15" NUGGET ICE MACHINE

### MARVEL CLASSIC COLLECTION



### MAIN FEATURES

- Makes 1/2" L x 3/8" H x 5/8" W ice bits
- Produces up to 65 pounds of nugget ice per day
- Stores up to 27 pounds of nugget ice
- Ice scoop included with dedicated holder
- Factory-installed drain pump included
- Digital controls
- Simple 20 minute clean cycle
- Indicator lights show when drain is activated and if water issues are detected
- Arctic white LED lighting
- Arctic white interior
- Concealed soft close articulating door hinge
- Reversible door allows for right or left swing
- Panel ready model requires 3/4" or 5/8" custom panel and handle (not supplied by Marvel) or stainless panel accessory

### WARRANTY

- 2024 Bonus Warranty - 2 years (parts & labor) / 5 year (sealed system). See complete warranty for details.

### FINISH OPTIONS



#### DOOR STYLE

- Solid Stainless Steel
- Solid Panel Ready

#### MODEL NUMBER

- MRNP215-SS01A
- MRNP215-IS01A

#### ACCESSORY

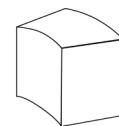
- Ice Machine Cleaner (Single 4 oz. Bottle)
- Pro-Style Stainless Steel Panel

#### PART NUMBER

- S41013789
- 90-17047-ACCY



Pro-Style Stainless Steel Panel

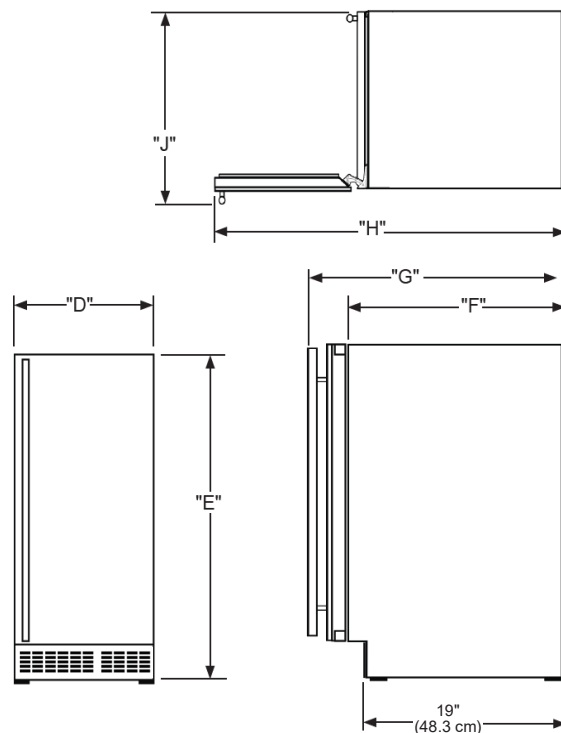
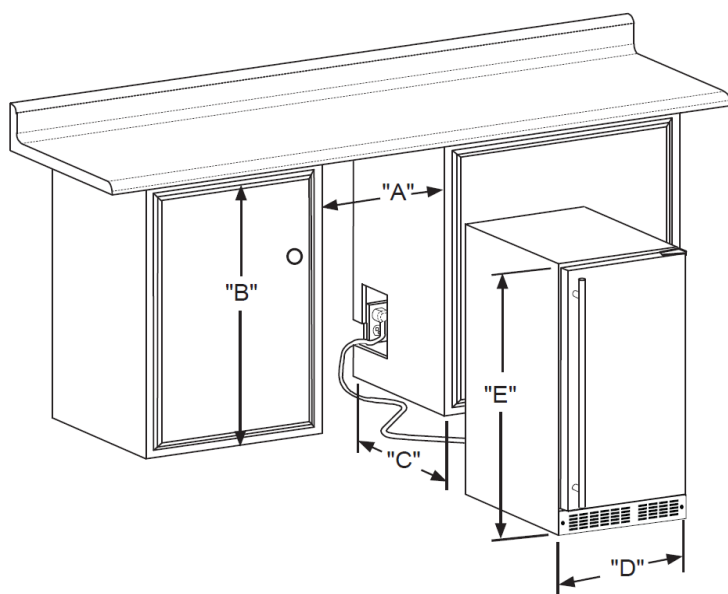


Nugget Ice Cube





**DIMENSIONAL DRAWINGS**



**ROUGH IN DIMENSIONS\***

"A"	"B"	"C"
15"	33-3/4" to 34-1/4"	24"
(38.1 cm)	(85.7 cm to 87 cm)	(61 cm)

**CABINET DIMENSIONS\***

"D"	"E"	"F"	"G"	"H"	"J"
14-7/8"	33-9/16" to 34-1/16"	23"*	25"*	37-3/8"*	17"*
(37.8 cm)	(85.2 cm to 86.5 cm)	(58 cm)	(63.5 cm)	(94.9 cm)	(43.2 cm)

\*Stainless steel model dimensions only. For panel-ready models, see the owner's guide online at [marvelrefrigeration.com](http://marvelrefrigeration.com).

**PRODUCT SPECIFICATIONS**

<b>Capacity</b>	27 lbs
<b>Cord Length</b>	6 ft.
<b>Electrical Requirements</b>	115V / 60 Hz / 15A
<b>ENERGY STAR</b>	Yes
<b>Panel Height</b>	30-1/4" (76.8 cm)
<b>Panel Thickness</b>	5/8" (1.6 cm) or 3/4" (1.9 cm)
<b>Panel Type</b>	2-3/4" (7 cm) Solid Panel
<b>Panel Width</b>	14-3/4" (37.5 cm)
<b>Refrigerant Type</b>	R600a

<b>Shipping Dimensions</b>	19" W x 31" D x 37" H
<b>Shipping Weight</b>	104 lbs

For comprehensive installation instructions, including panel overlay details, please visit [marvelrefrigeration.com](http://marvelrefrigeration.com) to access the owner's guide. All specifications are subject to change without notice.

