



SEDONA BY LYNX™ SERIES

42" SEDONA BUILT-IN GRILL

WITH 1 PROSEAR INFRARED BURNER AND 2 STAINLESS STEEL BURNERS (L701PS)



L701PS PRODUCT OVERVIEW



- Precise power—one ProSear™ Infrared Burner and two stainless steel burners combining to provide up to 69,000 BTU
- Dependable performance—direct spark ignition with battery backup
- Perfect clarity—dual halogen grill surface lights
- Quick visibility—temperature gauge
- Easy opening—Lynx Hood Assist
- Steadfast durability—heavy-duty welded construction eliminates gaps where grease can collect
- Generous capacity—1,049 square inches of cooking surface (728 primary, 321 secondary)
- Beautiful illumination—blue-lit control knobs
- Smooth opening—fluid rotation handle
- Premier platform—stainless steel grilling grates
- Understated luxury—brushed stainless steel finish on canopy, bullnose, and drip tray
- Installation into a combustible enclosure requires an insulated jacket accessory



FOR A COMPLIMENTARY CUSTOM DESIGN FOR YOUR OUTDOOR KITCHEN, VISIT LYNXGRILLS.COM/DESIGN-CENTER

L701PS PRODUCT FEATURES

The Sedona by Lynx™ Series is always evolving to be the best at something new. That philosophy is reflected in its features. We've refined these features to give you a grilling experience that's both simple and stunning.



PROSEAR™ INFRARED BURNER



STAINLESS STEEL BURNERS



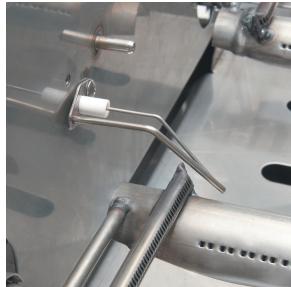
CERAMIC RADIANT BRIQUETTES



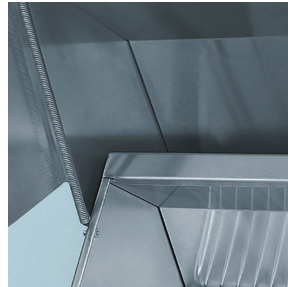
INTEGRATED ILLUMINATION



EXPANSIVE GRILLING SURFACE



SPARK IGNITION SYSTEM



LYNX HOOD ASSIST

FOR MORE INFORMATION ON SEDONA BY LYNX™ SERIES PRODUCT FEATURES, PLEASE VISIT LYNXGRILLS.COM

PRODUCT TECHNICAL SPECIFICATIONS



CUT-OUT DIMENSIONS: WIDTH: 41" / HEIGHT: 10" / DEPTH: 21.25"



SHIPPING DIMENSIONS: WIDTH 34" / HEIGHT 47" / DEPTH 30"
SHIPPING WEIGHT: 240 POUNDS



GAS REQUIREMENTS: SHIPS IN LIQUID PROPANE OR NATURAL GAS FROM FACTORY

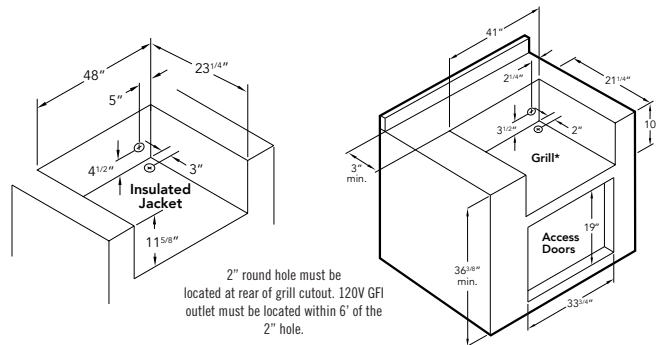


ELECTRICAL REQUIREMENTS: INSTALLATION REQUIRES AN OUTDOOR 120V/15GFI ELECTRICAL OUTLET ADJACENT TO PRODUCT



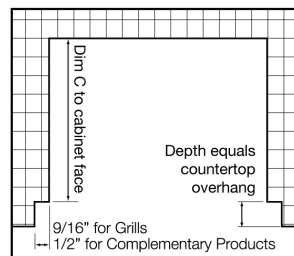
COOKING CONFIGURATION: BUILT-IN GRILL WITH ROTISSERIE, 1 PROSEAR INFRARED BURNER AND 2 STAINLESS STEEL BURNERS

L701PS ISLAND PREPARATION



PRODUCT SPECIFICATIONS & INSTALLATION

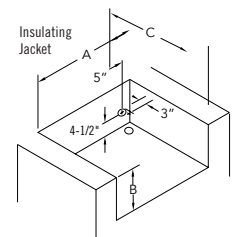
COUNTERTOP NOTCH DETAIL



INSULATING JACKET

BUILT-IN GRILL WITH INSULATING JACKET

Model	A	B	C
L701PS	41"	10"	21 1/4"



Note: Insulating jacket required for all grills installed into a combustible enclosure. For natural gas grills, Lynx recommends using 3/4" gas lines. Side burners may be rotated 90 degrees. See installation manuals for details.