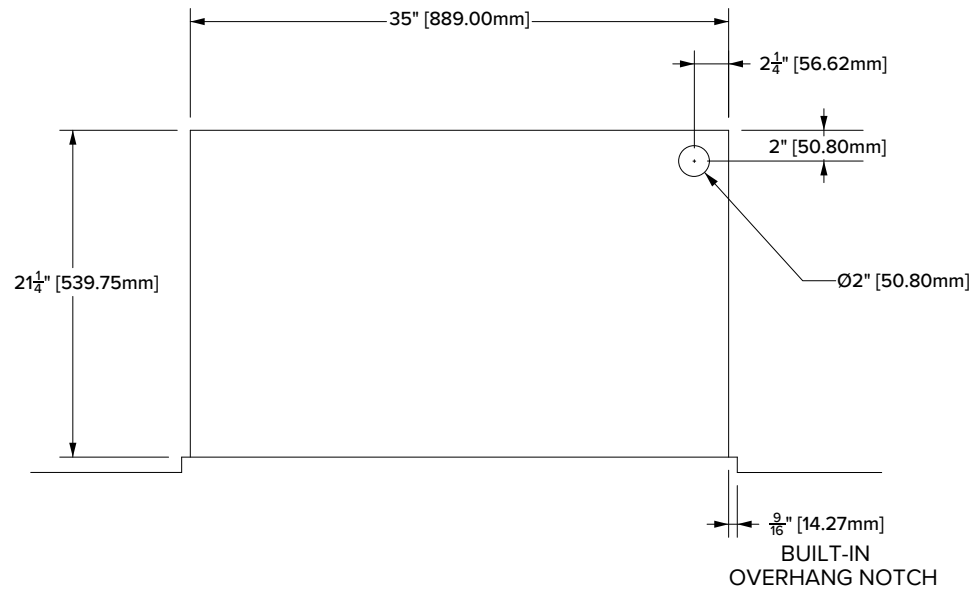


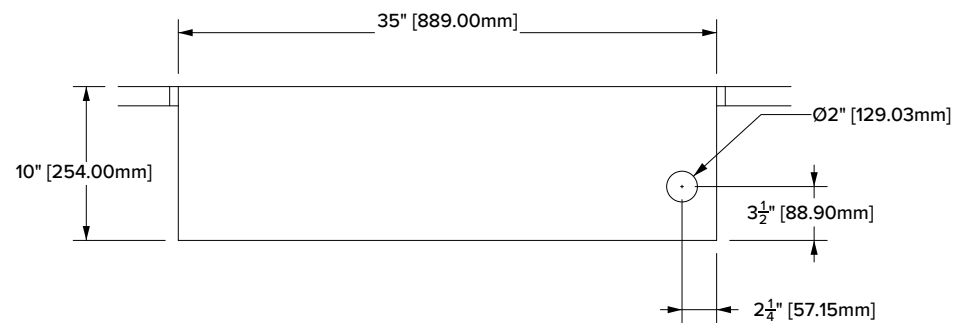
TOP



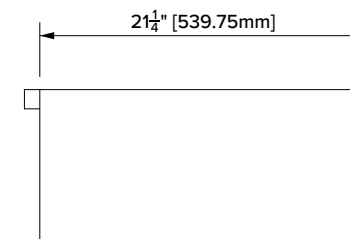
L600/L601 GRILL BUILT-IN CUTOUT

NOTE: THE CUTOUT IS BASED
ON THE RECOMMENDED
COUNTERTOP THICKNESS OF 1 1/4"

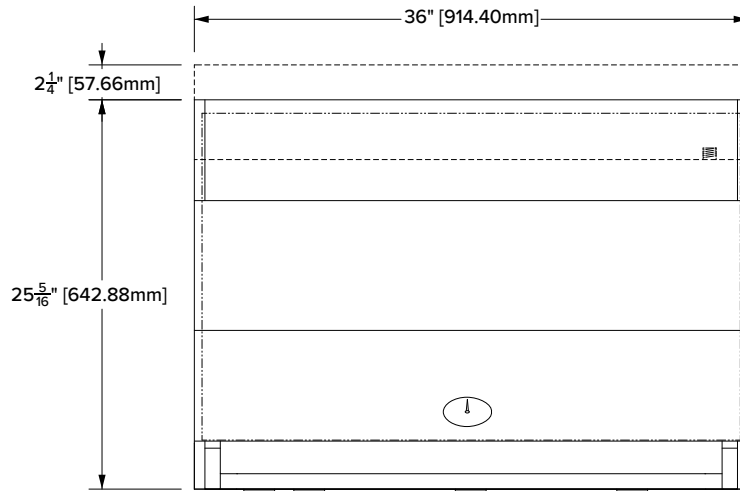
FRONT



SIDE



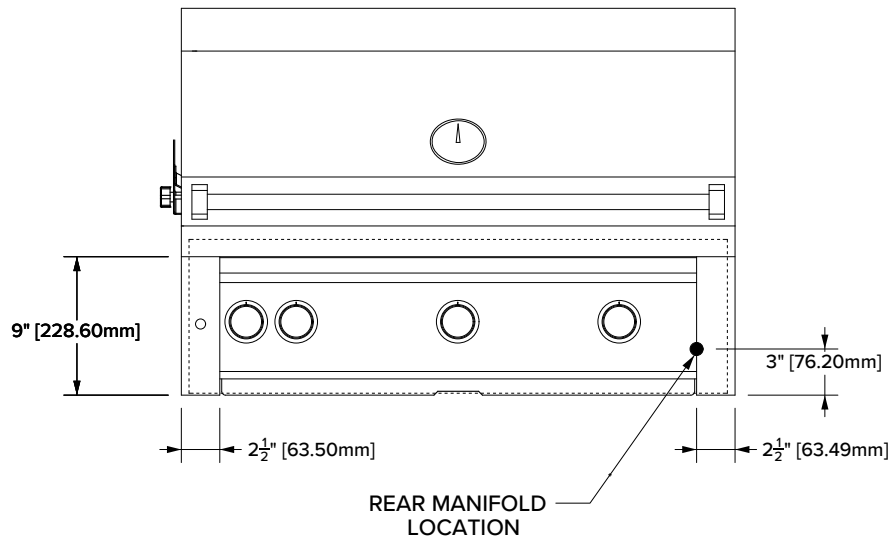
TOP



L600/L601 GRILL
W/ DIMENSIONS

----- LINE OF CUTOUT

FRONT



SIDE

