

# 24" Drawer Microwave



800 Series – Stainless Steel HMD8454UC



**HMD8454UC**  
Stainless Steel

**The 24" drawer microwave opens and closes automatically with the push of a button, and can be installed flush to cabinet.**

## Features & Benefits

Easy-to-read tilt out display disappears until you need it.

Convenient automatic sensor programs simplify cooking for perfect results.

White touch control LCD matches Bosch wall ovens.

Able to fit a 20 oz. cup or a 13" x 9" baking oven pan.

Low profile design with touch "open" and "close".

Download the Home Connect® app to remotely monitor and control your Bosch drawer microwave with your smart phone or tablet.

## General Properties

Cavity material	White
Max. microwave power	950 W

## Capacity

Cavity capacity	1.2 cu. ft.
-----------------	-------------

## Technical Details

Watts	1,500 W
Circuit breaker	15 A
Volts	120 V
Frequency	60 Hz
Power cord length	48"
Plug type	120V-3 prong

## Dimensions & Weight

Overall appliance dimensions (HxWxD)	16 5/16" x 23 7/8" x 23 3/8"
Required cutout size – standard (HxWxD)	15 9/16" x 22 1/8" x 23 1/2"
Required cutout size – flush (HxWxD)	16 5/8" x 24 3/16" x 23 1/2"
Net weight	74 lbs

HomeConnect



† To be fully ADA compliant, these units must be installed according to ADA guidelines. Please check current ADA requirements for guidance on installation.

**Accessories:** To purchase Bosch accessories, cleaners & parts please visit [www.bosch-home.com/us/store](http://www.bosch-home.com/us/store) or call 1-800-944-2904 (Mon to Fri 5 am to 6 pm PST, Sat 6 am to 3 pm PST).

**Notes:** All height, width and depth dimensions are shown in inches. BSH reserves the absolute and unrestricted right to change product materials and specifications, at any time, without notice. Consult the product's installation instructions for final dimensional data and other details prior to making cutout.

**Warranties:** Please see Use & Care manual or Bosch website for statement of limited warranty.

**For more information on our entire line of products, go to [www.bosch-home.com/us](http://www.bosch-home.com/us) or call 1-800-944-2904**

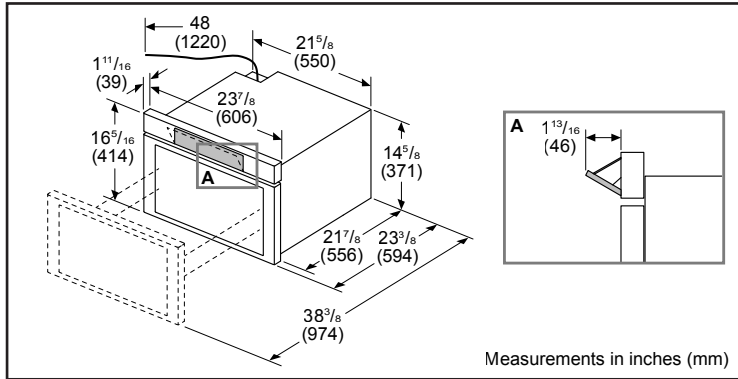
© BSH Home Appliances Corporation. All rights reserved. Bosch is a registered trademark of Robert Bosch GmbH.

# 24" Drawer Microwave

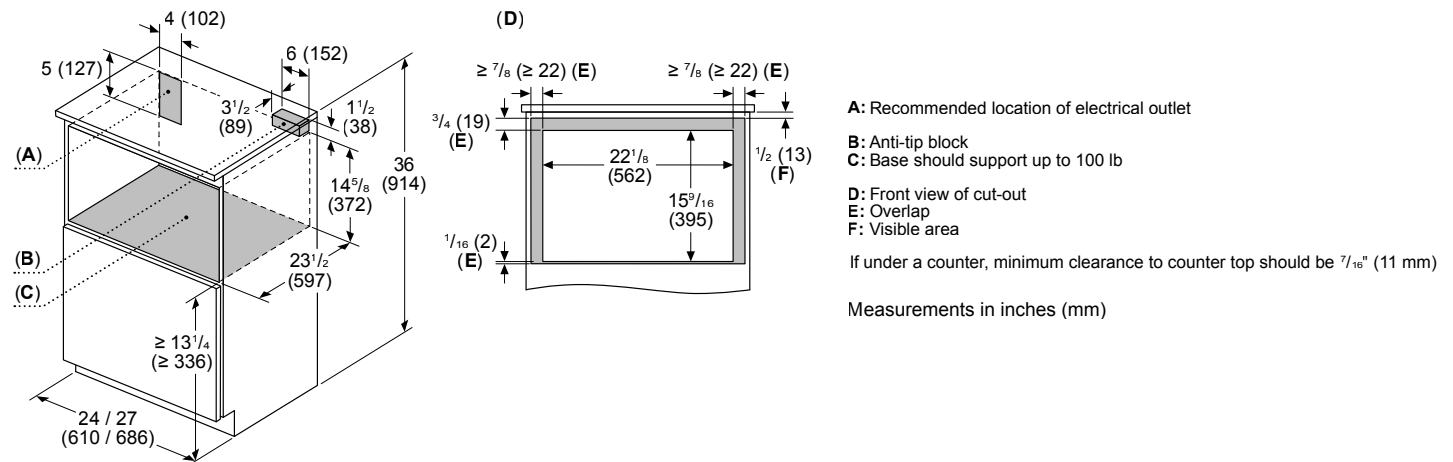


800 Series – Stainless Steel HMD8454UC

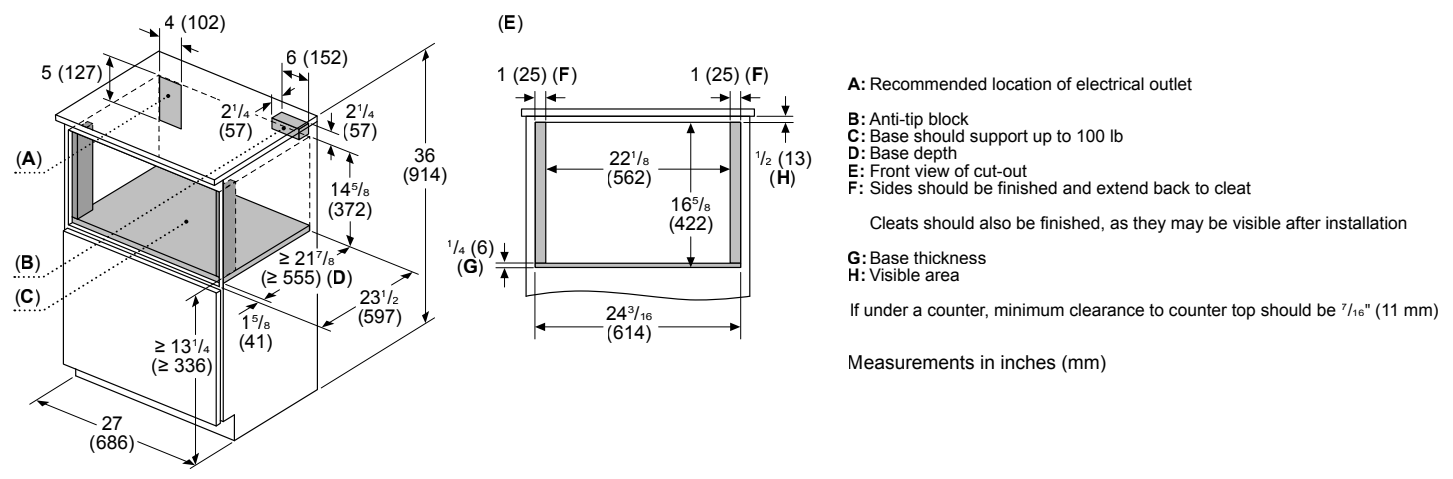
## Installation Details



### STANDARD INSTALLATION DIMENSIONS & CLEARANCES



### FLUSH INSTALLATION DIMENSIONS & CLEARANCES



**Accessories:** To purchase Bosch accessories, cleaners & parts please visit [www.bosch-home.com/us/store](http://www.bosch-home.com/us/store) or call 1-800-944-2904 (Mon to Fri 5 am to 6 pm PST, Sat 6 am to 3 pm PST).

**Notes:** All height, width and depth dimensions are shown in inches. BSH reserves the absolute and unrestricted right to change product materials and specifications, at any time, without notice. Consult the product's installation instructions for final dimensional data and other details prior to making cutout.

**Warranties:** Please see Use & Care manual or Bosch website for statement of limited warranty.

**For more information on our entire line of products, go to [www.bosch-home.com/us](http://www.bosch-home.com/us) or call 1-800-944-2904**

© BSH Home Appliances Corporation. All rights reserved. Bosch is a registered trademark of Robert Bosch GmbH.