

# FRIGIDAIRE GALLERY

## FGET3066U D/F

## DOUBLE WALL OVEN 30" ELECTRIC

**Smudge-Proof**  
STAINLESS STEEL

**Smudge-Proof**  
BLACK STAINLESS STEEL



### AVAILABLE COLORS



### PRODUCT DIMENSIONS

Height (Max.) 50-3/4"

Width 30"

Depth (Incl. Handle) 27 1/8"

### MORE EASY-TO-USE FEATURES

#### Cleanup is Easy with Hidden Bake

Lower heating elements are beneath the oven floor, making for a smooth surface that is easy to clean.

#### Smudge-Proof® Stainless Steel

Resists fingerprints and cleans easily. Available in Stainless Steel and Black Stainless Steel finishes.

#### Our Largest Capacity Oven

Cook more at once with 5.1 cubic feet of oven capacity.

#### Easily Access Dishes with our Glide Rack

Rack easily glides in and out allowing you to access dishes from your oven.

#### Oven Rack Handles

Oven racks are designed with space for you to easily pull out the racks, even when wearing an oven mitt.

#### Easy to Clean with Self-Cleaning

Your oven cleans itself - so you don't have to. Self clean options available in 2, 3, and 4-hour cycles.

#### Even Baking Technology

Our Even Baking Technology ensures even baking every time.

#### Vari-Broil™ Temperature Control

Allows you to choose between two heat levels.

### CERTIFICATIONS

Star-K® Certified (*Sabbath Mode*)

### SIGNATURE FEATURES



#### Faster, More Even Baking Results with True Convection

Get faster, more even multi-rack baking with a powerful convection fan and third heating element that evenly circulates hot air throughout the oven.



#### Effortless™ Temperature Probe

The Effortless™ Temperature Probe detects and alerts when the desired finished cooking temperature has been reached and automatically switches to the keep warm setting (upper oven only).



#### Quick Preheat

Preheat in just a few minutes.<sup>1</sup>

FRIGIDAIRE  
FIT PROMISE

#### Frigidaire Fit Promise

We promise that your new 27" or 30" Frigidaire® single or double wall oven will fit your existing cabinet cutout of the same width and configuration, or we will reimburse you for installation costs up to \$300.\*

\* Via mail-in rebate. See [Frigidaire.com/FitPromise](http://Frigidaire.com/FitPromise) for additional information.

<sup>1</sup> Based on single rack cooking performance, not set temperature, using Quick Preheat.

# FGET3066U D/F DOUBLE WALL OVEN

30" ELECTRIC

FRIGIDAIRE  
GALLERY

## FEATURES

Control/Timing System	Express-Select® Controls
Window	Extra-Large
Exterior Door Finish	Smudge-Proof® Stainless Steel (F), Smudge-Proof® Black Stainless (D)
Handle Design	Stainless Steel (F), Black Stainless (D)
Oven Cleaning System	Self-Clean w/ Steam Clean Option

## OVEN CONTROLS

Bake/Broil	Yes / Variable (400 - 550 °F)
Effortless™ Convection Conversion	Yes
Convection Bake / Broil / Roast	Yes / Yes / Yes
Oven Preheat	Quick
My Favorite	
Slow Cook	
Bread Proof Button	Yes
Effortless™ Temperature Probe	Yes
Keep Warm	Yes
Add-a-Minute	Yes
Delay Start	Yes
Self-Clean / Clean Options	Yes / 2, 3 4 Hours
Steam Clean	Yes
Delay Clean	Yes
Kitchen Timer / Timed Cook Option	Yes / Yes
Control Lock	Yes
Auto Oven Shut-Off	6 Hours
Oven Lock-Out	Yes

## UPPER OVEN FEATURES

Capacity (Cu.Ft.)	5.1
Convection System	True Convection
Oven Light	2 Halogen
Hidden Bake Element	Yes
Rack Configuration	2 Heavy Duty, 1 Offset Rack
Baking System	Even Baking Technology
Broiling System	Power Broil
Bake / Broil Element (Watts)	2,200 / 4,000

## LOWER OVEN FEATURES

Capacity (Cu.Ft.)	5.1
Convection System	True Convection
Oven Light	2 Halogen
Hidden Bake Element	Yes
Rack Configuration	3 Heavy Duty
Baking System	Even Baking Technology
Broiling System	Power Broil
Bake / Broil Element (Watts)	2,200 / 4,000

## OPTIONAL ACCESSORIES

3"-High Bottom Trim - Black Stainless (D) / Stainless Steel (F)	(D) PN# 5304520624 (F) PN # 5304520627
10'-Long Armored Power Cable	PN # 903056-9010

## CERTIFICATIONS

Star-K® Certified (Sabbath Mode)	Yes
----------------------------------	-----

## SPECIFICATIONS

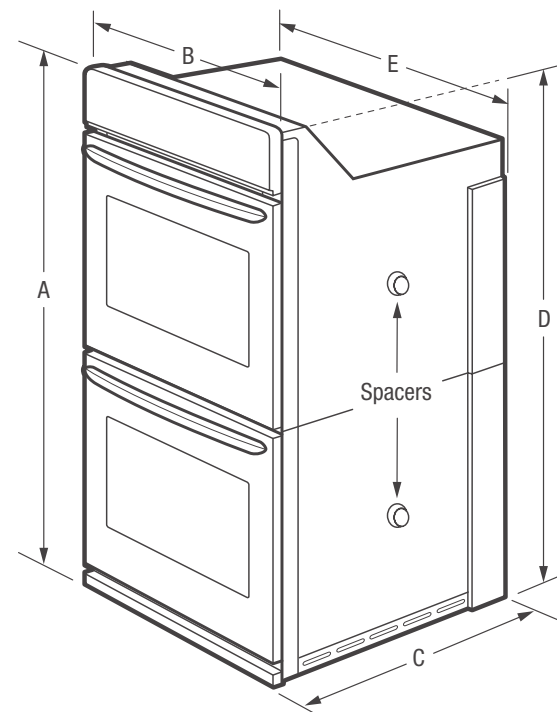
Oven Interior (H x W x D)	18 5/8" x 24 1/8" x 19 1/2"
Power Supply Connection Location	Left Bottom Rear
Voltage Rating	240V / 208V / 60Hz
Connected Load (kW Rating) @ 240 / 208 Volts <sup>2</sup>	9.5 / 7.1
Amps @ 240 / 208 Volts	37.5 / 32.7
Minimum Circuit Required (Amps)	40
Shipping Weight (Approx.)	280 Lbs.

## PRODUCT DIMENSIONS

A - Height (Max.)	50-3/4"
B - Width	30"
C - Depth (Incl. Handle)	27 1/8"
D - Height (Wrapper)	48-5/8"
E - Width (Wrapper)	28-1/4"
Depth with Door Open 90°	45-3/4"

## CABINET CUTOUT DIMENSIONS

Height (Min.) / (Max.)	48-7/8" / 50-1/4"
Width (Min.) / (Max.)	28-1/2" / 29"
Depth (Min.)	24"



**Note:** For planning purposes only. Always consult local and national electric, gas and plumbing codes. Refer to Product Installation Guide for detailed installation instructions on the web at [frigidaire.com](http://frigidaire.com) / [frigidaire.ca](http://frigidaire.ca). Specifications subject to change. Accessories information available on the web at [frigidaire.com](http://frigidaire.com) / [frigidaire.ca](http://frigidaire.ca)

FRIGIDAIRE

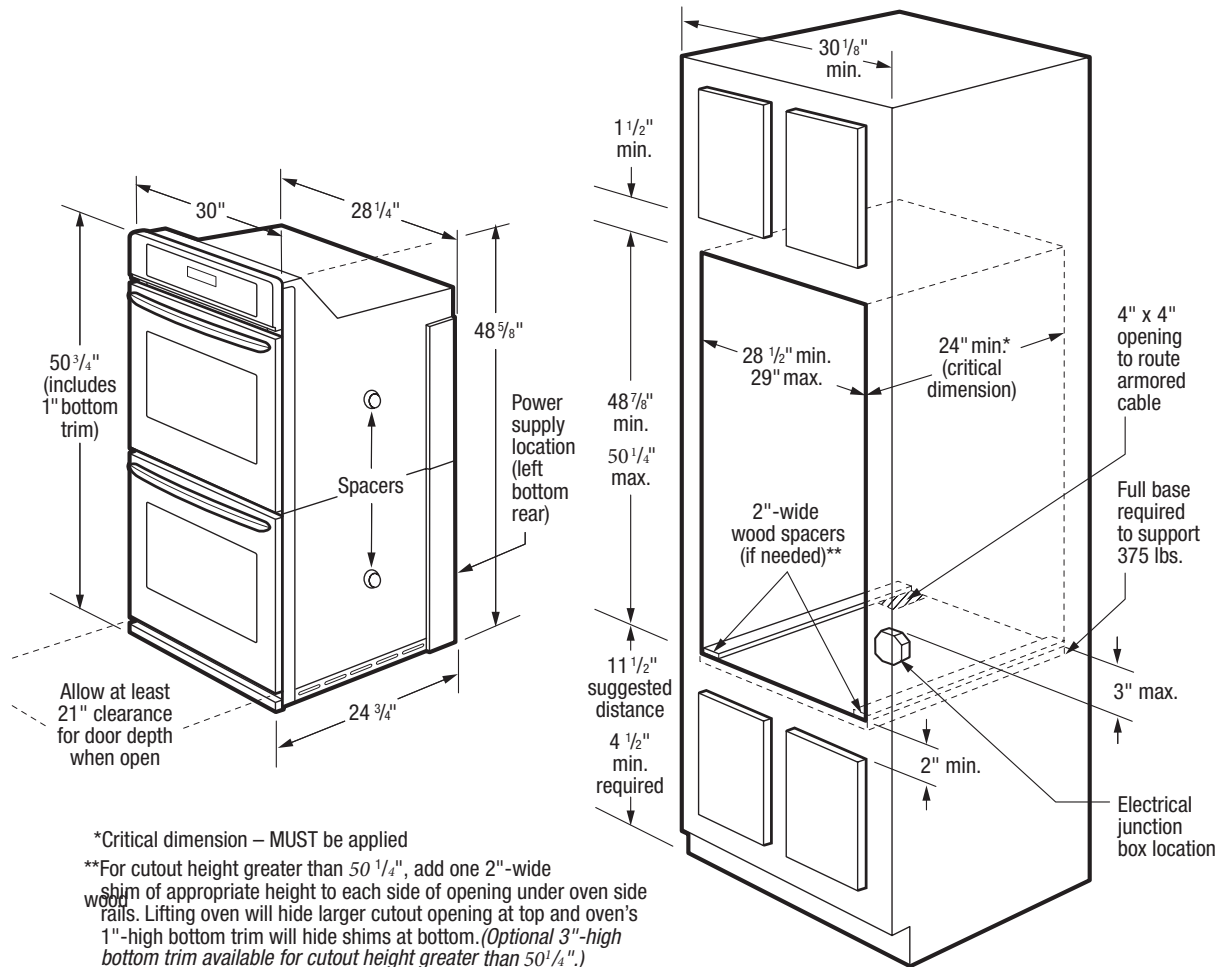
USA • 10200 David Taylor Drive • Charlotte, NC 28262 • 1-800-FRIGIDAIRE • [frigidaire.com](http://frigidaire.com)  
CANADA • 5855 Terry Fox Way • Mississauga, ON L5V 3E4 • 1-800-265-8352 • [frigidaire.ca](http://frigidaire.ca)

FGET3066U 011/19  
© 2019 Electrolux Home Products, Inc.

# FGET3066U D/F DOUBLE WALL OVEN

30" ELECTRIC

FRIGIDAIRE  
GALLERY



## INSTALLATION SPECIFICATIONS

- Product Shipping Weight (approx.) – 280 Lbs.
- Single phase 3- or 4-wire cable, 120 / 240 or 120 / 208 Volt, 60 Hertz AC only electrical supply with ground required on separate circuit fused on both sides of line.
- Connected Load (kW Rating) @ 240 / 208 Volts = 9 / 6.8 kW
- Amps @ 240 / 208 Volts = 37.5 / 32.7 Amps
- Recommended Circuit Breaker – 40 Amps
- Always consult local and national electric codes.
- Minimum 21" clearance for oven door depth when open.
- Suggested distance from floor is 11-1/2". Minimum required distance is 4-1/2".
- Minimum 24" deep cutout dimension is critical for proper installation, to ensure that oven's faceplate will fit flush against cabinet front.
- To adapt oven to fit cutout height greater than 50-1/4", add one 2"-wide wood shim of appropriate height to each side of opening under oven side rails. Lifting oven will hide larger cutout opening at top and oven's 1"-high bottom trim will hide shims at bottom. (Standard 1"-High Bottom Trim included.)
- To adapt oven to fit cutout height greater than 49-7/8", optional 3"-High Bottom Trim available.

- Full oven base of solid plywood or similar material required, capable of supporting 375 Lbs.
- Base must be level and cabinet front must be square.
- Double Wall Ovens are NOT approved to be used in stackable or side-by-side installation.

### OPTIONAL ACCESSORIES

- 3"-High Black Stainless Steel Bottom Trim – (PN #5304520624).
- 3"-High Stainless Steel Bottom Trim – (PN #5304520627).
- 10'-Long Armored Power Cable – (PN # 903056-9010).



FRIGIDAIRE

USA • 10200 David Taylor Drive • Charlotte, NC 28262 • 1-800-FRIGIDAIRE • [frigidaire.com](http://frigidaire.com)  
CANADA • 5855 Terry Fox Way • Mississauga, ON L5V 3E4 • 1-800-265-8352 • [frigidaire.ca](http://frigidaire.ca)

*Note: For planning purposes only. Always consult local and national electric, gas and plumbing codes. Refer to Product Installation Guide for detailed installation instructions on the web at [frigidaire.com](http://frigidaire.com) / [frigidaire.ca](http://frigidaire.ca). Specifications subject to change. Accessories information available on the web at [frigidaire.com](http://frigidaire.com) / [frigidaire.ca](http://frigidaire.ca)*

FGET3066U 11/19  
©2019 Electrolux Home Products, Inc.