



30" Gas Range with Air Fry

Gas Range

Available Products: FCRG3083AD, FCRG3083AS

Available Colors: Black Stainless Steel, Stainless Steel

Version: 10/23

Product Specifications

Cooking Controls

| | |
|---------------------|-----|
| Air Fry | Yes |
| Bake | Yes |
| Broil | Yes |
| Child Lock | Yes |
| Clock | Yes |
| Convection Bake | Yes |
| Delay Clean | Yes |
| Delay Start | Yes |
| Door Lock | Yes |
| Keep Warm | Yes |
| Kitchen Timer | Yes |
| Light | Yes |
| Off | Yes |
| Oven Light | Yes |
| Oven Lock | Yes |
| Preheat | Yes |
| Self Clean | Yes |
| Set Clock | Yes |
| Start | Yes |
| Temperature Display | Yes |
| Timer On / Off | Yes |
| Up / Down Arrow | Yes |
| User Preferences | Yes |

Oven

| | |
|---------------------------|----------------|
| Bake Element | 17000 BTU |
| Broil Element | 1400 Watts |
| Broil Element Pass | 6 |
| Cleaning System | Yes |
| Convection | Yes |
| Convection Type | Fan |
| Number of Convection Fans | 1 |
| Number of Rack Positions | 6 |
| Oven Interior Color | Midnight Black |
| Oven Light Quantity | 1 |
| Oven Light Type | Halogen |
| Oven Light Watts | 40 Watts |
| Rack Position Type | Embossed |
| Rack Type 1 | Flat |
| Rack Type 1 Quantity | 2 |

Cooking Controls Function

| | |
|---|-----|
| Change between Continuous Bake Setting or 12-Hour Energy Saving Feature | Yes |
| Delayed Bake | Yes |
| Program Fahrenheit or Celsius | Yes |
| Silent Control Panel | Yes |

Cooktop

| | |
|----------------------|------------|
| Cooking Surface Type | Gas |
| Grate Material | Cast Iron |
| Grate Quantity | 3 |
| Grate Style | Continuous |
| Sealed Burners | Yes |

Drawer

| | |
|---------------------|------------|
| Drawer Handle Style | Integrated |
| Drawer Type | Storage |

Display

| | |
|-------------------------|------------------|
| Control Location | Rear |
| Display Interface Color | White |
| Display Type | Capacitive Touch |

Electrical Specifications

| | |
|------------------|---------|
| Amps @ 120 Volts | 12 Amps |
| Voltage Rating | 120 V |

General Specifications

| | |
|------------------|--------|
| Prop 65 Label | Yes |
| Warranty - Labor | 1 Year |
| Warranty - Parts | 1 Year |

Cooktop Performance

| | |
|----------------------------|-----------|
| Right Front Element Burner | 18000 BTU |
| Right Rear Element Burner | 5000 BTU |
| Left Front Element Burner | 14000 BTU |
| Left Rear Element Burner | 10000 BTU |
| Center Rear Element Burner | 10000 BTU |

Controls

| | |
|--------------|-----|
| Control Lock | Yes |
|--------------|-----|

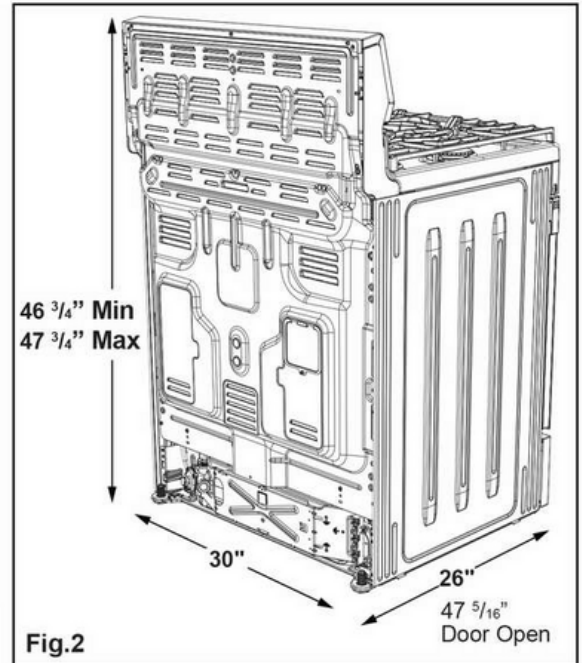
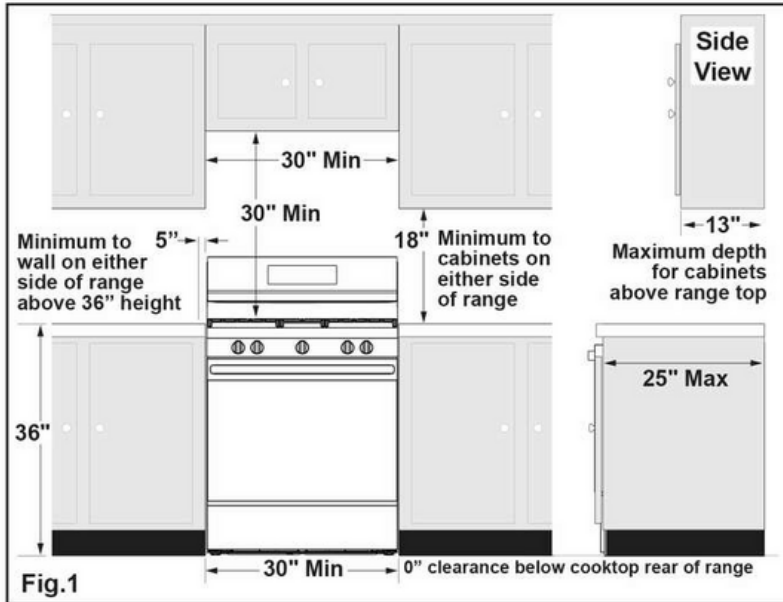
Dimensions and Volume

| | |
|--------------------------|-------------|
| Minimum Height | 46 3/4" |
| Maximum Height | 47 3/4" |
| Width | 30" |
| Depth | 26" |
| Depth With Door 90° Open | 47 5/16" |
| Depth With Handle | 28 1/2" |
| Oven Interior Height | 17 5/8" |
| Oven Interior Width | 25 3/16" |
| Oven Interior Depth | 19 7/8" |
| Oven Capacity | 5.1 Cu. Ft. |

Installation

| | |
|--------------------------|-----|
| Adjustable Leveling Legs | Yes |
| Power Cord Included | Yes |

Installation Diagram



*30" (762 mm) MINIMUM CLEARANCE BETWEEN THE TOP OF THE COOKING SURFACE AND THE BOTTOM OF AN UNPROTECTED WOOD OR METAL CABINET; OR 24" (610 mm) MINIMUM WHEN BOTTOM OF WOOD OR METAL CABINET IS PROTECTED BY NOT LESS THAN 1/4" (6 mm) FLAME RETARDANT MILLBOARD COVERED WITH NOT LESS THAN NO. 28 MSG SHEET STEEL, 0.015" (0.4 mm) STAINLESS STEEL, 0.024" (0.6 mm) ALUMINUM OR 0.020" (0.5 mm) COPPER. 0" (0 mm) CLEARANCE IS THE MINIMUM FOR THE REAR OF THE RANGE. FOLLOW ALL DIMENSION REQUIREMENTS PROVIDED ABOVE TO PREVENT PROPERTY DAMAGE, POTENTIAL FIRE HAZARD, AND INCORRECT COUNTERTOP AND CABINET CUTS.

