

ICONIC SERIES
ILLUSION

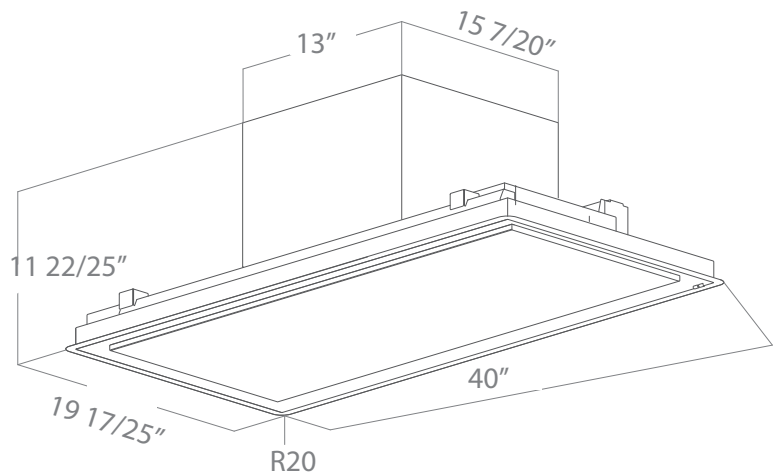


- TOP PERFORMANCE
- REMOTE CONTROL
- TUNE WHITE
- SUPER EASY INSTALLATION
- SPECIAL MATERIAL
- DIM LIGHT
- TOTAL INTEGRATION
- CLEAN FILTER ALARM
- REPLACE FILTER ALARM

ELICA'S EXCLUSIVE PLUS FEATURES

FIRST PANEL-READY CEILING HOOD IN THE MARKET, perfectly fitting the ceiling texture of the living space, disappearing like a true Illusion. Also naturally saves valuable kitchen space and frees the area of inconvenient obstructions cleverly hiding a powerful extraction system that guarantees always clean air in the living space. Combining discreet shapes and high performance, Illusion has been created for consumers who ask for an essential and bespoke style without compromises on functionality.

EIL640WH | EIL640DW



FALSE CEILING CUT: 18 57/64 X 38 37/64

*Can be installed up to 10 feet



***FLEXIBLE INSTALL**
Blower offers 5 possible exit directions, allowing you to decide on which side to attach the air outlet duct.

SPECIFICATIONS



Width:	40" UNIT	40" UNIT
Model:	EIL640WH	EIL640DW
Dimensions:	40" W x 19 17/25" D	
Blower type (internal):	600 CFM (3-speed + boost)	
Noise (sones):	6.8 Sones	
Finish:	Metal White with white frame	Naked panel (stainless steel) + stainless steel frame
Controls:	Remote Control	
Illumination:	2 Strip LED Lights, 14 W	
Grease Filter:	Dishwasher-Safe, Anodized Aluminum, Mesh Filter + Perimeter Aspiration	
Installation type:	Ducted or Recirculating (Kit sold separately)	
Duct transition:	Round 6" (multi directional)	
Installment Height:	Can reach ceiling heights up to 10'0"	
Electrical:	120v 60 Hz, 578 W	
KITS:		
Recirculating Kit:	KIT0167875 (Contains 3 long life carbon filters)	
WARRANTY:**	Two (2) Years Parts & In-Home Labor. Earn an additional One (1) Year of Parts & In-Home Labor by registering on elica.com.	

PLUS FEATURES



TOP PERFORMANCE - Excellent performance for models equipped with this plus. High fume capturing capacity with an average aspiration range of 600 CFM's. with low noise levels, 1.2 - 1.7 sones at working speed.



TUNE WHITE - The ability to choose the preferred shade of white always creates the right atmosphere. The Kelvin degrees regulation starts from a very warm tone, 2400°K, to experience intimate and convivial moments, up to a cold colour, 5000°K.



SPECIAL MATERIALS - Products designed in special materials and finishes with great aesthetic impact but also with practical and durable characteristics, perfect for cooking use.



SUPER EASY INSTALLATION -With the exclusive Elica system, installation can be done in total safety in just a few steps, safeguarding the look of the product and the space in which it is positioned.



REPLACE FILTER ALARM- When activated, your hood will emit a "beep" signal let you know when is time to replace the carbon filters. See instructions manual to activate feature.



REMOTE CONTROL - Elica's ADA compliant Remote Control, provides added convenience to the typical user, as well as, full function access for those with limited mobility.



DIM-LIGHT- The Dimmer allows you to adjust the brightness of the light as you wish. With Elica, lighting is customized in a discreet, personal and practical way, in order to contribute in creating the perfect kitchen atmosphere.



TOTAL INTEGRATION - The Total Integration products have been designed to be seamlessly integrated into the kitchen whilst maintaining harmony with the surroundings.



CLEAN FILTER ALARM - When activated, your hood will emit a "beep" signal to let you know when is time to clean your filters. For some models, an intermittent light will remain active until cleaning filter action is completed. See instructions manual to activate feature.

* The product images shown are for illustration purposes only and may not be an exact representation of the product.

** For valid warranty extension, register within 3 months from purchase. For USA & Canada Users Only.