

30" Warming Drawer

\$1,799

dacor



DWR30U900WP/DA – Panel Ready

Features & Benefits

- 4 temperature levels
- 4 timer settings
- Electronic control panel
- Panel ready

Controls

CONTROL TYPE	Tactile Control
KITCHEN TIMER	Yes

Warming Drawer

CAPACITY (CU. FT.)	1.6
TEMPERATURE RANGE	85°F to 220°F
POWER	500W
MOIST / CRISP SELECTOR	No
APPROVED FOR OUTDOOR USAGE	No

Weights & Dimensions

NET WEIGHT (LBS.)	73.2
SHIPPING WEIGHT (LBS.)	79.6
PRODUCT DIMENSIONS (W X H X D IN INCHES)	28 ³ / ₈ x 9 ¹ / ₁₆ x 23 ¹³ / ₁₆
CUTOUT REQUIRED (W X H X D IN INCHES)	28 ¹ / ₂ x 9 ¹ / ₈ x 24

Technical Details

ELECTRICAL REQUIREMENTS	120V, 60 Hz, 15A
--------------------------------	------------------

Warranty

FULL COVERAGE	2 Years
----------------------	---------

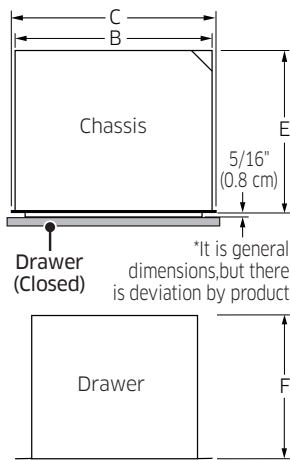
30" Warming Drawer

\$1,799



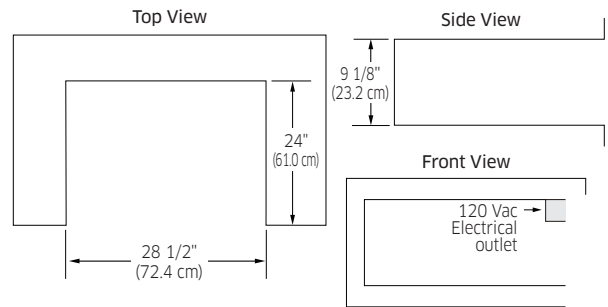
Appliance Dimensions	
A - DRAWER FACE WIDTH (IN/CM)	28 5/16" / 71.9
B - CHASSIS WIDTH (IN/CM)	27 7/16" / 70.1
C - CHASSIS FACE WIDTH (IN/CM)	28 3/8" / 72.1
D - DRAWER FACE HEIGHT (IN/CM)	8 15/16" / 22.7
E - CHASSIS DEPTH (IN/CM)	23 1/2" / 59.6
F - DRAWER DEPTH (IN/CM)	22 5/8" / 57.4
G - CHASSIS HEIGHT (IN/CM)	9 1/16" / 23
H* - DRAWER FRONT WIDTH (IN/CM)	29 3/4" / 75.6
I* - DRAWER FRONT HEIGHT (IN/CM)	9 3/8" / 23.9
J* - DRAWER FRONT DEPTH (IN/CM)	1" / 2.5

*DWR30U900WS/DA, DWR30U900WM/DA models only

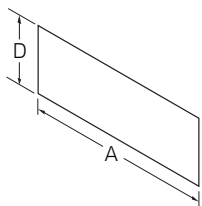


*It is general dimensions, but there is deviation by product

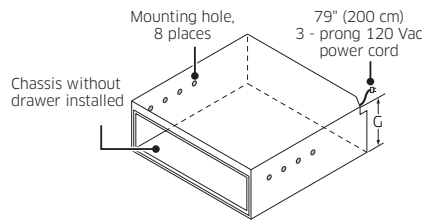
TOP VIEW



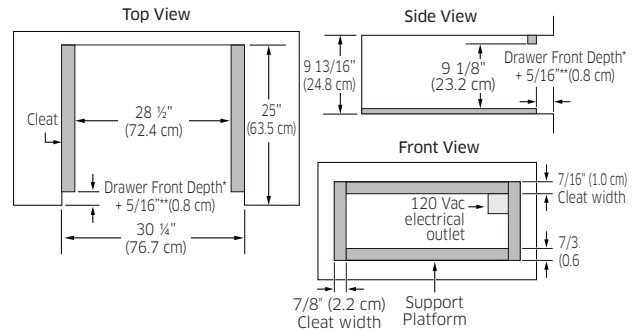
STANDARD CABINET DIMENSIONS



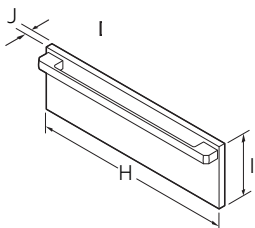
DRAWER FACE DIMENSIONS



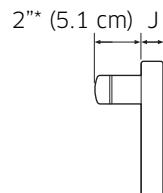
CHASSIS DIMENSIONS



FLUSHED CABINET DIMENSIONS



DRAWER FRONT DIMENSIONS



HANDLE DIMENSION