

# 30-Inch Combi Wall Oven with Steam

**\$6,999 | TRANSITIONAL**

**dacor**



**DOC30T977DS/DA** - Silver Stainless

## Features & Benefits

- Steam-Assist oven
- Microwave convection speed oven
- Dual Four-Part Pure Convection system
- BrightVue™ LED & halogen lighting
- 7-inch LCD control panel with SmartThings Wi-Fi connectivity
- Chef Mode guided cooking
- Digital temperature probe
- Self-clean oven
- SoftShut™ hinges

## Controls

<b>CONTROL TYPE</b>	7" LCD Touchscreen & Knobs
<b>CHEF MODE GUIDED COOKING</b>	Yes
<b>NUMBER OF KNOBS</b>	4
<b>ILLUMINA™ KNOBS</b>	White
<b>WI-FI + SMARTTHINGS</b>	Yes
<b>CLOCK</b>	Yes
<b>DELAY START</b>	Yes
<b>KITCHEN TIMER</b>	Yes
<b>CHILD LOCK</b>	Yes
<b>SABBATH MODE</b>	Yes

## Microwave Oven

<b>MICROWAVE CAPACITY (CU. FT.)</b>	1.9
<b>MICROWAVE POWER</b>	950W
<b>CONVECTION</b>	Yes
<b>SPEED CONVECTION SEAR</b>	Yes
<b>SPEED BROIL</b>	Yes
<b>LIGHTING</b>	White

## Steam Oven

<b>OVEN CAPACITY (CU. FT.)</b>	4.8
<b>CONVECTION</b>	Dual Four-Part Pure
<b>STEAM</b>	Steam-Assist (Lower)
<b>BAKE ELEMENT</b>	3,000W - 8 Pass
<b>BROIL ELEMENT</b>	4,400W - 10 Pass
<b>CONVECTION ELEMENT</b>	2 x 1,300W
<b>INSTANTHEAT™ (NO PREHEAT)</b>	Yes
<b>TEMPERATURE PROBE</b>	Yes
<b>LIGHTING</b>	BrightVue™ - LED & Halogen
<b>SELF-CLEAN</b>	Self-Clean, GreenClean™
<b>SOFTSHUT™</b>	Yes

## Weights & Dimensions

<b>NET WEIGHT (LBS.)</b>	132
<b>SHIPPING WEIGHT (LBS.)</b>	149
<b>PRODUCT DIMENSIONS (W X H X D IN INCHES)</b>	29 ¾ x 43 ¾ x 23 ½
<b>STANDARD CUTOUT REQUIRED (W X H X D IN INCHES)</b>	28 ¾ x 42 ¼ x 23 ½
<b>FLUSH CUTOUT REQUIRED (W X H X D IN INCHES)</b>	30 ¼ x 43 ¾ x 24 ⅞

## Technical Details

<b>ELECTRICAL REQUIREMENT</b>	240/208V, 60 Hz, 40A
-------------------------------	----------------------

## Warranty

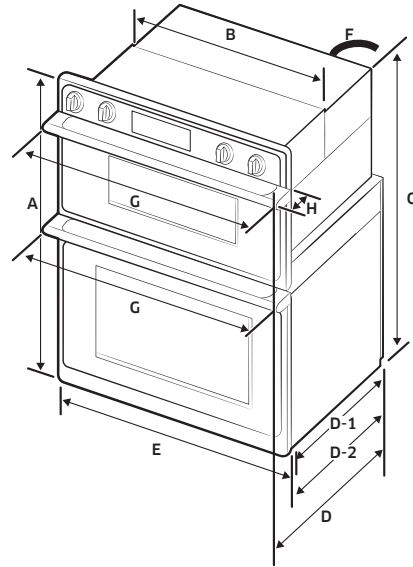
<b>FULL COVERAGE</b>	2 Years
----------------------	---------

# 30-Inch Combi Wall Oven with Steam



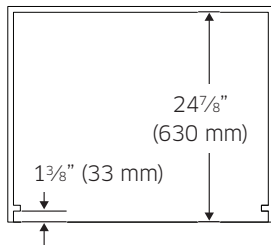
**\$6,999 | TRANSITIONAL**

Product Dimensions	
<b>A - (IN/CM)</b>	43 ¾ / 110.2
<b>B - (IN/CM)</b>	28 ½ / 72.4
<b>C - (IN/CM)</b>	42 / 106.7
<b>D - (IN/CM)</b>	26 ⅝ / 67.6
<b>D-1 - (IN/CM)</b>	23 ⅞ / 58.7
<b>D-2 - (IN/CM)</b>	24 ¾ / 62
<b>E - (IN/CM)</b>	29 ¾ / 75.6
<b>F - (IN/CM)</b>	67 / 170
<b>G - (IN/CM)</b>	29 ⅞ / 74.1
<b>H - (IN/CM)</b>	2 ⅞ / 5.6

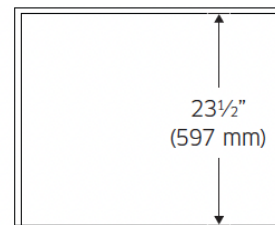


## Installation Cutout Dimensions (Flush)

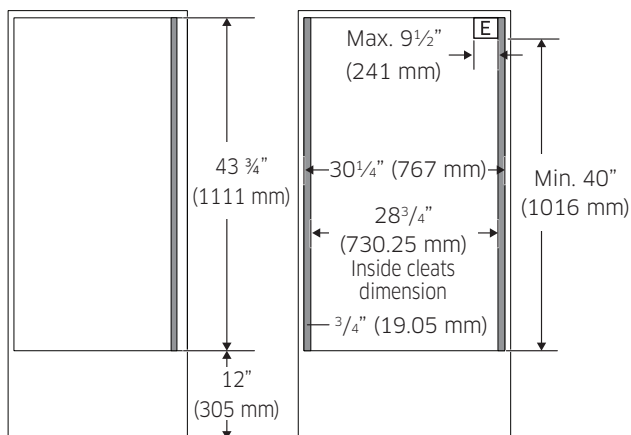
Allow a minimum of 22" for clearance to adjacent corners, drawers, walls, etc. when door is open.



Top view



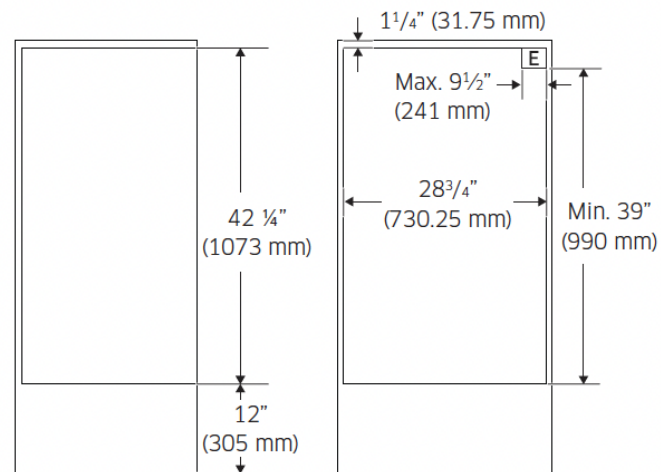
Top view



Side view

Front view

## Installation Cutout Dimensions (Standard)



Side view

Front view