

Café™ 20.2 Cu.Ft. Fully Integrated French-Door Bottom Freezer

CAFÉ

DISTINCT BY DESIGN™

CIP36NP2VS1



CIP36NP2VS1
Stainless Steel with Brushed
Stainless handles



WARRANTY

Labor Warranty	Limited 1-year entire appliance
	Limited 5-year sealed refrigerating system
Parts Warranty	Limited 1-year entire appliance
	Limited 5-year sealed refrigerating system

FEATURES & BENEFITS

Exterior style	Built-In Integrated 3-Door Bottom Freezer
Total Capacity	20.2 Cu. Ft.
FF Capacity	13.8 Cu. Ft.
FZ Capacity	3.5 Cu. Ft.
Convertible Drawer	2.9 Cu. Ft.
ADA Compliant	No
Energy Star	No
Depth	Built-In
Ice & Water Dispenser	No
Icemaker	Yes
Water Filtration	Yes
Control Type	Upfront Electronic Digital Temperature Display
Internal Lighting	LED
Colors Available	Stainless Steel
Case Color	Unfinished Sides or Panel Required
Claims & Certifications	MADE IN AMERICA, California Prop 65
Configuration	Full door
Temperature Management Features	Integrated Air Management System
Cabinet shelves (total ff & fz)	4 Half Width; 1 Full Width
Door bins (total ff & fz)	6 Half Width Adjustable
Fresh food cabinet shelf features	4 Adjustable glass; 1 fixed
Glass shelves	Yes
Fresh food cabinet pans/drawers	2
Clear bins and pans	Yes
Fresh food drawer features	Adjustable Humidity
Fresh food door bins	6
Fresh food door bins type	6 half width adjustable
Freezer Drawer	Equipped with Ice Maker and Divider Slide
Filter change indicator	Yes - on upfront control
GE water filtration system	XWFE Leak Detect in top above case
Leveling system	4 Point (2 adjustable back rollers, 2 adjustable front legs)
Convertible Drawer	4 Temperature Settings: cold drinks, meat, snacks or frozen items
Refrigerant type	r600a
Sealed system design	Yes
Defrost type	Automatic defrost
Connected	ConnectPlus WiFi; App details; Display/change temperature; Alert if fresh food temperature is too high; Alert if freezer temperature is too high; Alert if water filter needs to be replaced; Alert for software OTA updates

WEIGHTS & DIMENSIONS

Overall depth	24-3/4 in.
Overall width	35-3/4 in.
Overall height	83-7/8 in.
Case depth without door	22-1/8 in.
Depth without handle	24-3/4 in.
Height to top of case	83-11/16 in.
Approximate shipping weight	590 lbs.
Net weight	550 lbs.

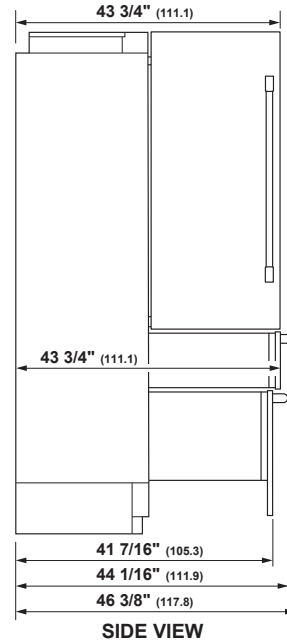
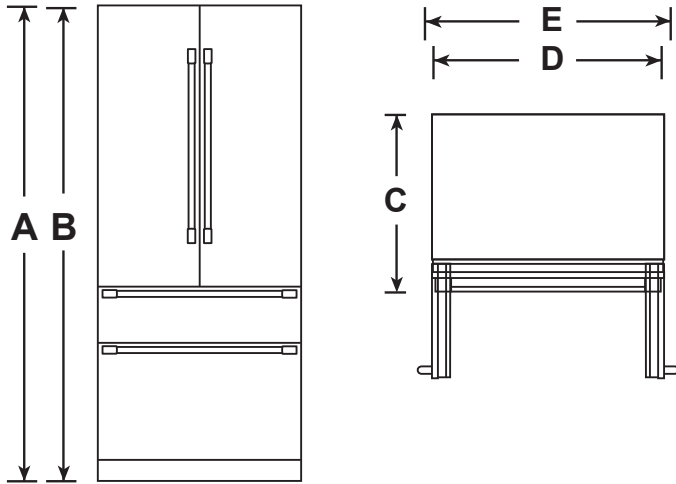
Café™ 20.2 Cu.Ft. Fully Integrated French-Door Bottom Freezer

CAFÉ

DISTINCT BY DESIGN™

CIP36NP2VS1

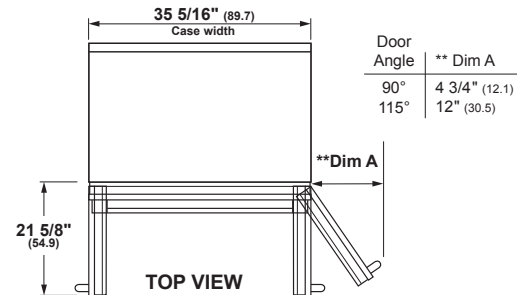
DIMENSIONS AND INSTALLATION



SIDE VIEW

Overall Weights & Dimensions	A - Overall Height	83 7/8
	B - Height to Top of Case (in)	83 11/16
	C - Unit Depth With Door Closed With handle (in)	27 5/16
	D - Case Width (in)	35 5/16
	E - Overall Width (in)	35 3/4
	Approximate Shipping Weight (lb)	590
Net Weight (lb)		550

Power / Ratings	
Volts/Hertz/Amps 115V 60Hz 20A	



TOP VIEW

**PRODUCT CLEARANCES

The factory set 115° door swing can be adjusted to 90° if clearance to adjacent cabinets or walls is restricted.

**These refrigerators are equipped with a 2 position door stop. The factory set 115° door swing can be adjusted to 90° if clearances to adjacent cabinets or walls is restricted. If the 90° door stop position is used, pan access is maintained, but pan removal is restricted.

GROUNDING THE REFRIGERATOR

IMPORTANT—PLEASE READ CAREFULLY

FOR PERSONAL SAFETY, THIS APPLIANCE MUST BE PROPERLY GROUNDING.

The power supply cord of this appliance is equipped with a three-prong (grounding) plug which mates with a standard three-prong (grounding) wall receptacle to minimize the possibility of electric shock hazard from this appliance.

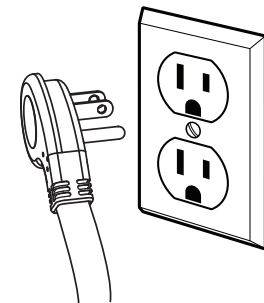
Have the wall outlet and circuit checked by a qualified electrician to make sure the outlet is properly grounded.

Where a standard 2-prong wall outlet is encountered, it is your personal responsibility and obligation to have it replaced with a properly grounded 3-prong wall outlet.

DO NOT UNDER ANY CIRCUMSTANCES, CUT OR REMOVE THE THIRD (GROUND) PRONG FROM THE POWER CORD.

DO NOT USE AN ADAPTER PLUG TO CONNECT THE REFRIGERATOR TO A 2-PRONG OUTLET.

DO NOT USE AN EXTENSION CORD WITH THIS APPLIANCE.



Café™ 20.2 Cu.Ft. Fully Integrated French-Door Bottom Freezer

CAFÉ

DISTINCT BY DESIGN™

CIP36NP2VS1

DIMENSIONS AND INSTALLATION

FLOORING

For proper installation, this refrigerator must be placed on a level surface of hard material that is at the same height as the rest of the flooring. This surface should be strong enough to support a fully loaded refrigerator, or approximately 1500 lbs.

NOTE: Protect the finish of the flooring. Cut a large section of the cardboard carton and place under the refrigerator where you are working.

WATER AND ELECTRICAL LOCATIONS

The opening must be prepared with the electrical and water supply located as shown.

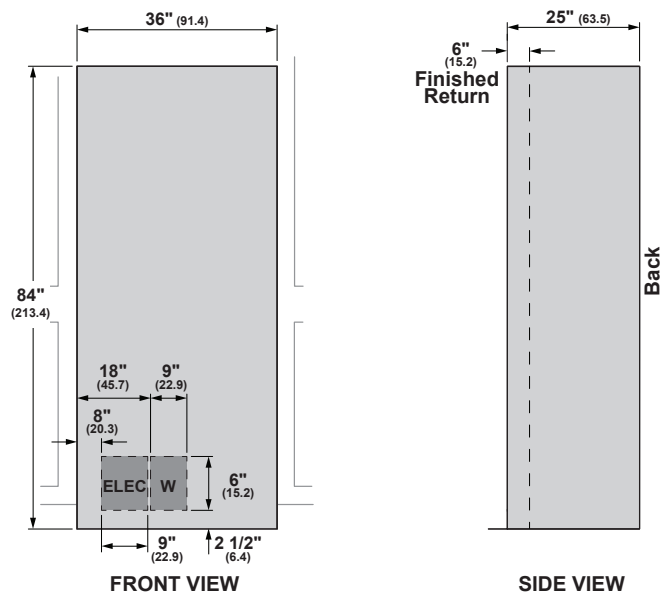
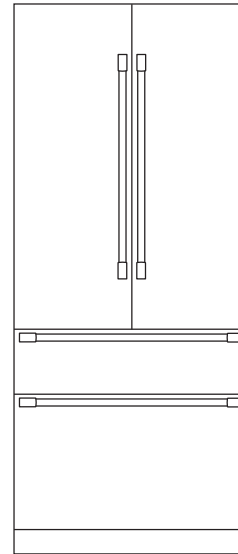
FINISHED RETURN OF 6" REQUIRED

A minimum 6" (15.2) finished return matching cabinet exterior recommended on interior on all sides and top at front of opening

ADDITIONAL SPECIFICATIONS

A 120 volt, 60Hz, 15 or 20 amp power supply is required. An individual properly grounded branch circuit or circuit breaker is recommended.

Install a properly grounded 3-prong electrical receptacle recessed into the back wall. Electrical must be located on rear wall as shown.



NOTE: GFI (ground fault interrupter) is not recommended. Water line can enter the opening through the floor or rear wall. The water line installed should be 1/4" O.D. copper tubing or GE SmartConnect™ tubing between the cold water line and water connection location. The line should be long enough to extend to the front of the refrigerator. Installation of an easily accessible shutoff valve in the water line is required.

ADDITIONAL ACCESSORIES



CXSB4H4PVBZ
Brushed Bronze
Optional Kits



CXSB4H4PVBT
Brushed Black
Optional Kits



CXSB4H4PVCU
Brushed Copper
Optional Kits



CXSB4H4PVCG
Brushed Brass
Optional Kits



CXSB4H4PVFB
Flat Black
Optional Kits