

## PRODUCT FEATURES

- Largest surface cooking capacity, including two 11" zones
- Industry first - matte finish durable scratch and stain resistant cooking surface
- Most powerful cooking zone available at 7,400-Watts
- Versatile and efficient cooking surface with six individual, oversized cooking zones
- Two bridge functions creating dual power zones for oversized cookware like roasting pans and griddles
- Patent-pending, power-level indicator light for each zone
- Instant response and precise control on each cooking zone with nine levels of heat, plus simmer and keep warm options
- Power Optimization System for uninterrupted cooking
- Extra-Large True Convection oven offers even and consistent multi-rack cooking
- Fits commercial-size 18" x 26" baking sheets
- 8 cooking modes including Bake, Convect Bake, Roast, Convect Roast, Convect, Broil, Proof and Dehydrate, plus Sabbath setting and temperature probe
- Intuitive color 7" touchscreen control with Quick Start cooking in 3 easy touches
- Environmentally friendly, gentle 90-minute express cleaning mode + ContinuClean™ technology
- Unmatched customization - choose from 1,000+ colors and 10 metal trim finishes
- Handcrafted in Pennsylvania since 1880

## SPECIFICATIONS

Overall Dimensions: 47 7/8"W x 26 1/2"D x 35 3/4" - 36 1/2"  
 Top Burner Boost Rating: 3,700 W  
 Top Burner Rating: 2,100 W  
 Left Bridge: 7,400 W | Right Bridge: 3,700 W  
 Large Oven Interior: 26 1/4"W x 20"D x 16 5/8"H  
 Bake Element Rating: 3500 W (2500 W Inner/1000 W Outer)  
 Broiler Rating: 5,000 W Total (2500 W Inner / 2500 W Outer)  
 Convection Element Rating: 2800 W  
 Small Oven Interior: 14 1/8"W x 20"D x 16 5/8"H  
 Small Oven Bake Element Rating: 2100 W  
 Small Oven Convection Element Rating: 2800 W  
 Electrical Requirements: 240/208 VAC, 60Hz, 50 AMPS  
 Unit must be on a Non-GFI, dedicated outlet



## MODEL INFORMATION

48" Induction Range

BSPIR486Z

## ZONE CONFIGURATION

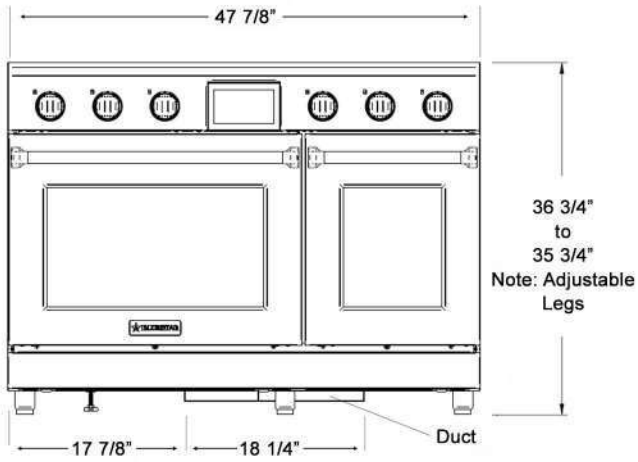


## ADDITIONAL CUSTOMIZATION OPTIONS

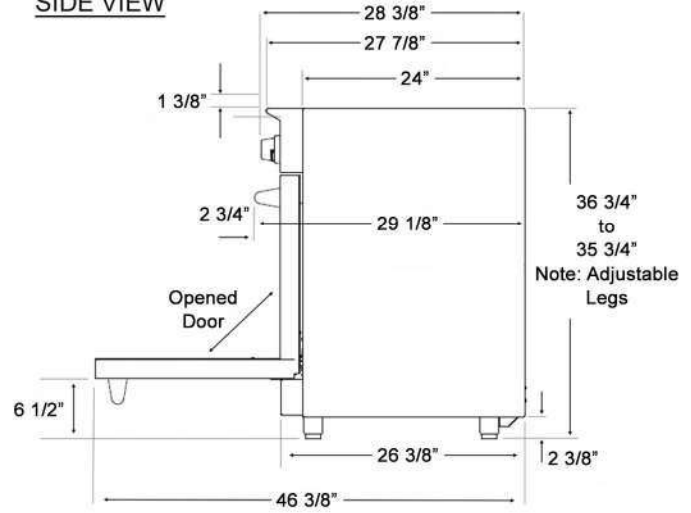
- 1,000+ Colors
- 10 metal trim options
- Painted knobs in over 190 color options

*All specifications subject to change with out notice*

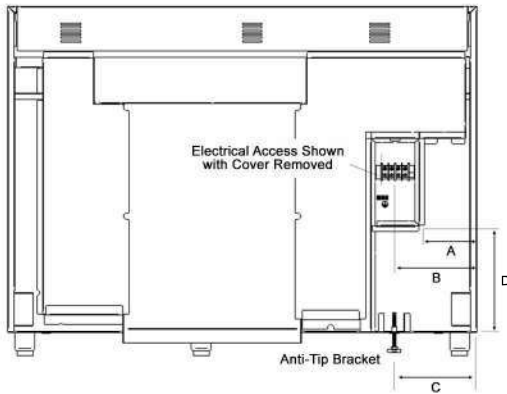
**FRONT VIEW**



**SIDE VIEW**



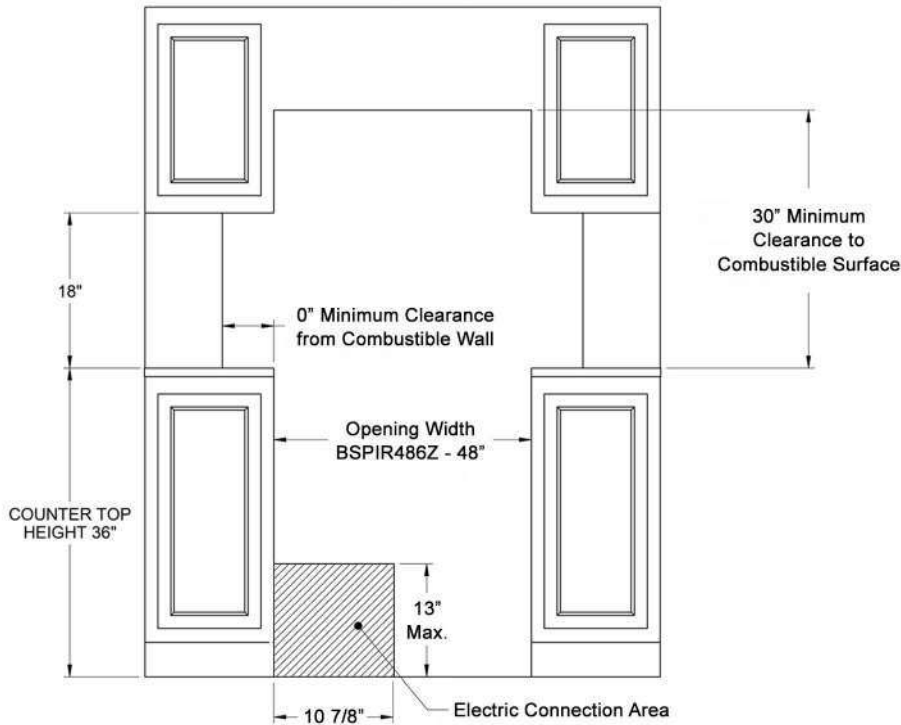
**BACK VIEW**



Electrical Dimensions Cover			
DIMENSION "A"	DIMENSION "B"	DIMENSION "C"	DIMENSION "D"
3 5/16"	8 3/8"	8 7/16"	13 5/8"

**FRONT VIEW**

Ventilation hood recommended for all installations at 30" - 36" above cooktop surface



**SIDE VIEW**

