



30" STAINLESS STEEL WARMING DRAWER WITH PRO STYLE HANDLE

HWD30PS | HERITAGE COLLECTION



SPECIFICATION DETAILS

EXTERIOR FINISH	STAINLESS STEEL WITH PRO HANDLE
OVERALL WIDTH	30"
OVERALL DEPTH	23 13/16"
OVERALL HEIGHT	10 1/8"
CUT OUT WIDTH	28 1/2"
CUT OUT DEPTH	24" MINIMUM
DRAWER CAPACITY	1.73 CU. FT.
UTILITY LOCATIONS	RIGHT REAR ADJACENT CABINET OR BELOW INSTALLATION AREA
ELECTRICAL REQUIREMENTS	120V, 60HZ
TOTAL CONNECTED LOAD	4.0 AMP@120VAC, 60HZ
TOTAL AMPS	15 AMPS
SHIPPING WEIGHT	76 LBS

FEATURES & BENEFITS

- Electronic Control Panel.
- Four Temperature Levels—Proof, Low, Medium and High (100-200°).
Temperature will automatically set to the last temperature setting used when the drawer is turned on.
- Four Timer Settings—1, 2, 3 & 4 hours plus an infinite time mode which keeps the warming drawer on until you turn it off.
The Infinite mode is very useful when you need the warming drawer on for extended periods of time like during parties and events or for use during the Sabbath.
- Blue LED Indicator lights.
- Large Capacity.
- 50 pound weight limit.
- Quick to heat with 500 watt heating element.
- Approved for installation under Dacor wall ovens, microwaves, cooktops and in under counter applications.

NON-INTEGRATED UNITS DIMENSIONS

A

30"

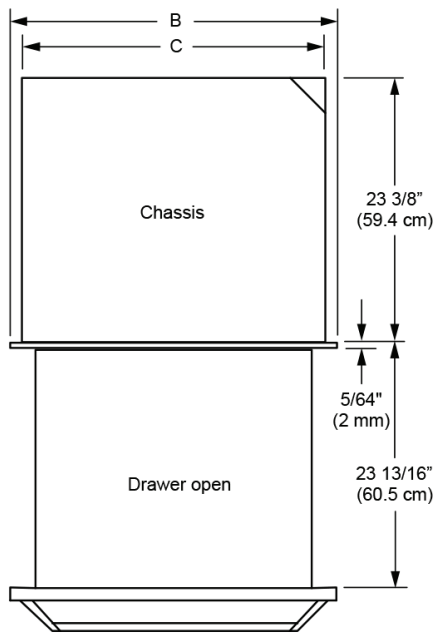
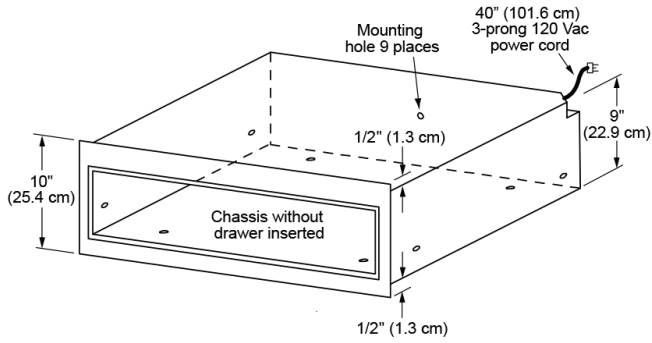
B

29 5/8"

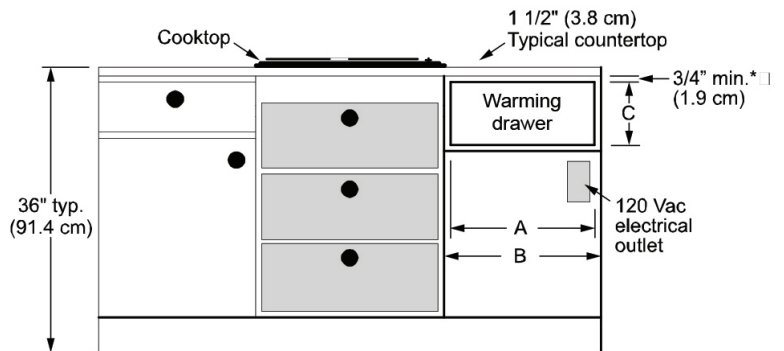
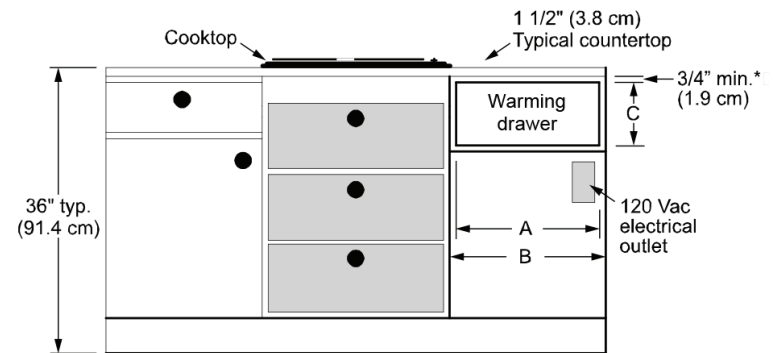
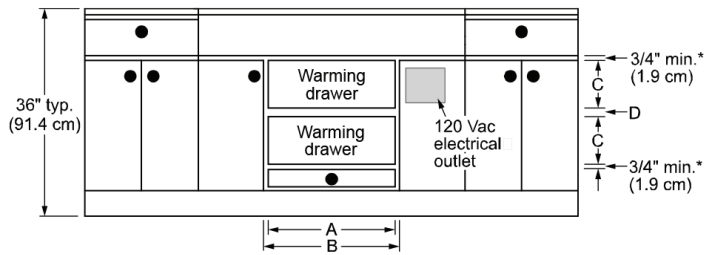
C

28 1/4"

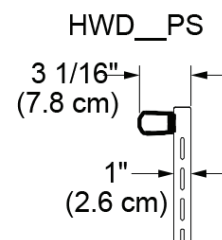
NON-INTEGRATED UNITS DIMENSIONS



CUTOUT DIMENSIONS



HANDLE DIMENSIONS





27" STAINLESS STEEL WARMING DRAWER WITH PRO STYLE HANDLE

HWD27PS | HERITAGE COLLECTION



SPECIFICATION DETAILS

EXTERIOR FINISH	STAINLESS STEEL WITH PRO HANDLE
OVERALL WIDTH	27"
OVERALL DEPTH	23 13/16"
OVERALL HEIGHT	10 1/8"
CUT OUT WIDTH	25 1/2"
CUT OUT DEPTH	24" MINIMUM
DRAWER CAPACITY	1.53 CU. FT.
UTILITY LOCATIONS	RIGHT REAR ADJACENT CABINET OR BELOW INSTALLATION AREA
ELECTRICAL REQUIREMENTS	120V, 60HZ
TOTAL CONNECTED LOAD	4.0 AMP@120VAC, 60HZ
TOTAL AMPS	15 AMPS
SHIPPING WEIGHT	73 LBS

FEATURES & BENEFITS

- Electronic Control Panel.
- Four Temperature Levels—Proof, Low, Medium and High (100-200°).
Temperature will automatically set to the last temperature setting used when the drawer is turned on.
- Four Timer Settings—1, 2, 3 & 4 hours plus an infinite time mode which keeps the warming drawer on until you turn it off.
The Infinite mode is very useful when you need the warming drawer on for extended periods of time like during parties and events or for use during the Sabbath.
- Blue LED Indicator lights.
- Large Capacity.
- 50 pound weight limit.
- Quick to heat with 500 watt heating element.
- Approved for installation under Dacor wall ovens, microwaves, cooktops and in under counter applications.

NON-INTEGRATED UNITS DIMENSIONS

A

27"

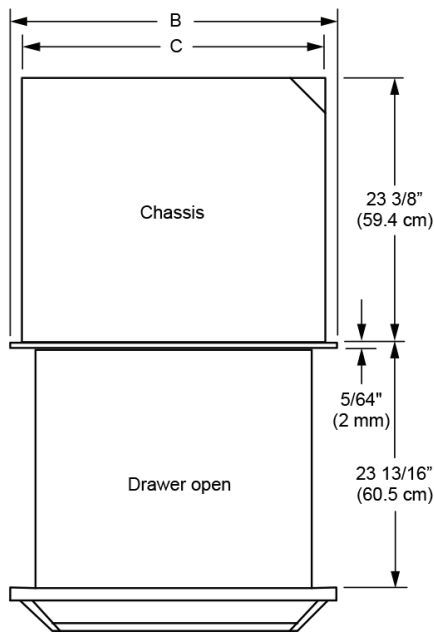
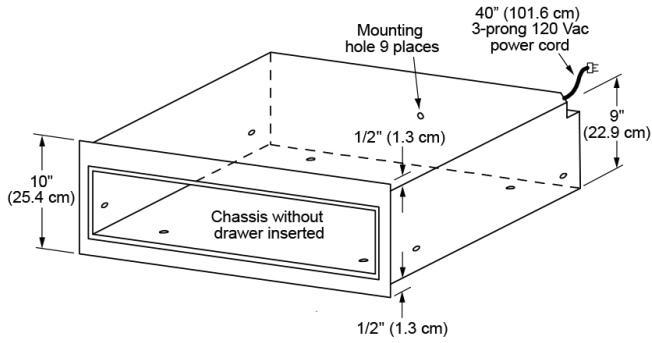
B

26 5/8"

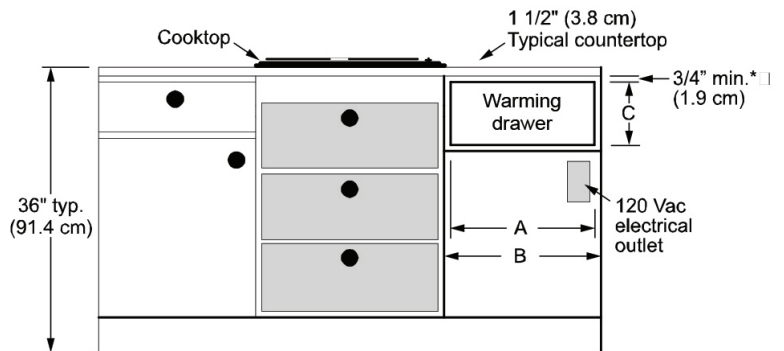
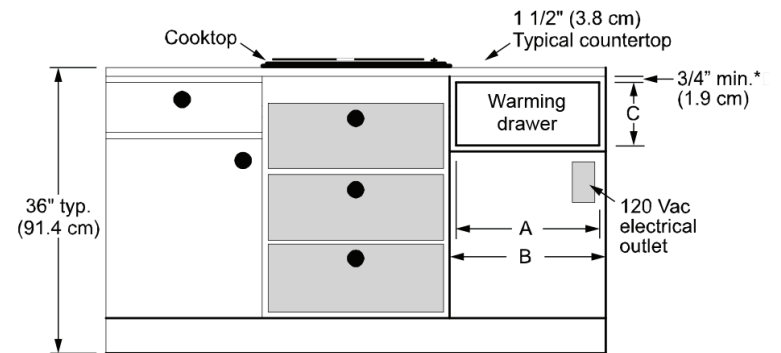
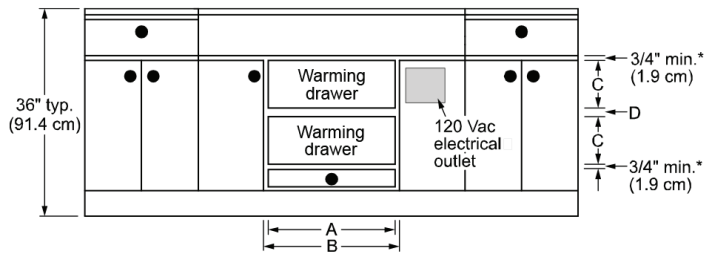
C

25 1/4"

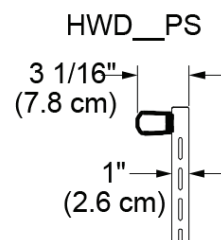
NON-INTEGRATED UNITS DIMENSIONS



CUTOUT DIMENSIONS



HANDLE DIMENSIONS





24" STAINLESS STEEL WARMING DRAWER WITH PRO STYLE HANDLE

HWD24PS | HERITAGE COLLECTION



SPECIFICATION DETAILS

EXTERIOR FINISH	STAINLESS STEEL WITH PRO HANDLE
OVERALL WIDTH	24"
OVERALL DEPTH	23 13/16"
OVERALL HEIGHT	10 1/8"
CUT OUT WIDTH	22 1/2"
CUT OUT DEPTH	24" MINIMUM
DRAWER CAPACITY	1.33 CU FT
UTILITY LOCATIONS	RIGHT REAR ADJACENT CABINET OR BELOW INSTALLATION AREA
ELECTRICAL REQUIREMENTS	120V, 60HZ
TOTAL CONNECTED LOAD	4.0 AMP@120VAC, 60HZ
TOTAL AMPS	15 AMPS
SHIPPING WEIGHT	70 LBS

FEATURES & BENEFITS

- Electronic Control Panel.
- Four Temperature Levels—Proof, Low, Medium and High (100-200°).
Temperature will automatically set to the last temperature setting used when the drawer is turned on.
- Four Timer Settings—1, 2, 3 & 4 hours plus an infinite time mode which keeps the warming drawer on until you turn it off.
The Infinite mode is very useful when you need the warming drawer on for extended periods of time like during parties and events or for use during the Sabbath.
- Blue LED Indicator lights.
- Large Capacity.
- 50 pound weight limit.
- Quick to heat with 500 watt heating element.
- Approved for installation under Dacor wall ovens, microwaves, cooktops and in under counter applications.

NON-INTEGRATED UNITS DIMENSIONS

A

24"

B

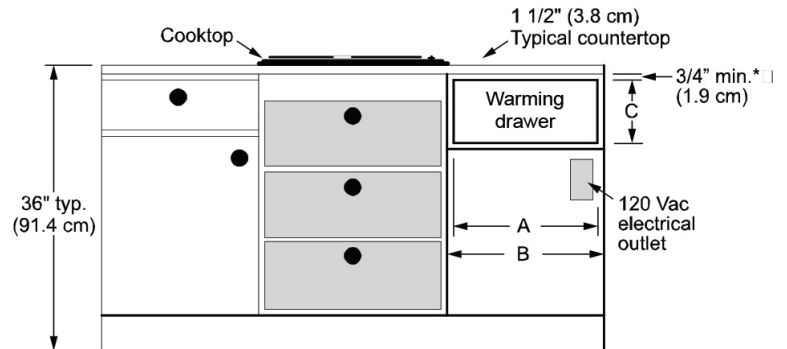
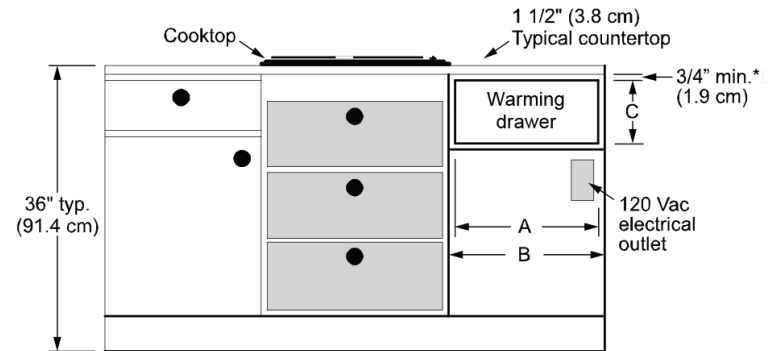
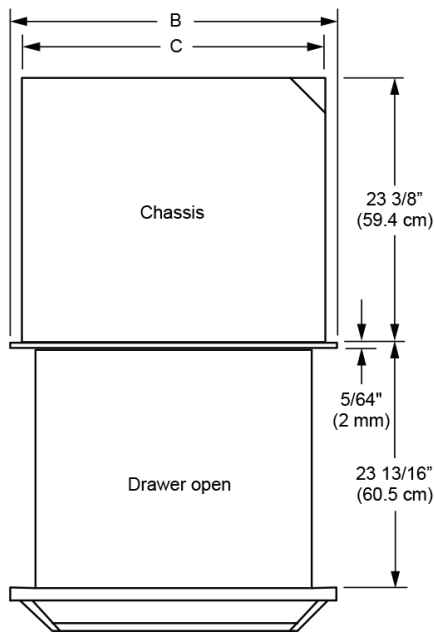
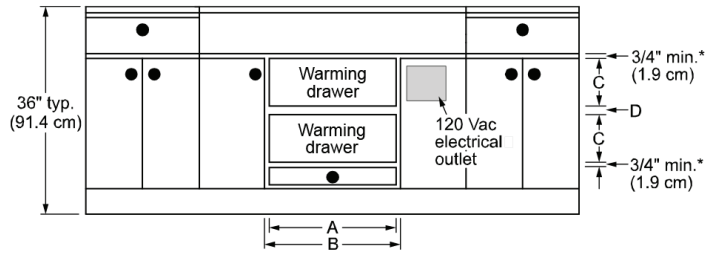
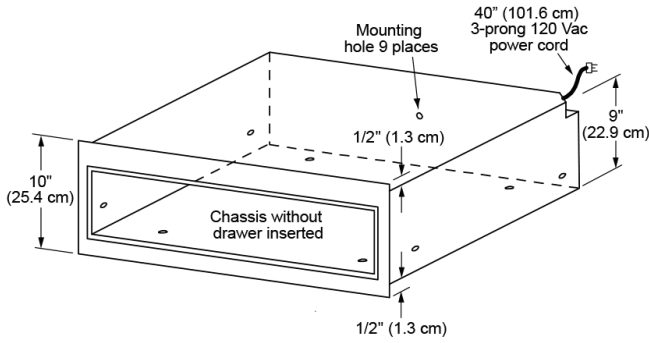
23 5/8"

C

22 1/4"

NON-INTEGRATED UNITS DIMENSIONS

CUTOUT DIMENSIONS



HANDLE DIMENSIONS

